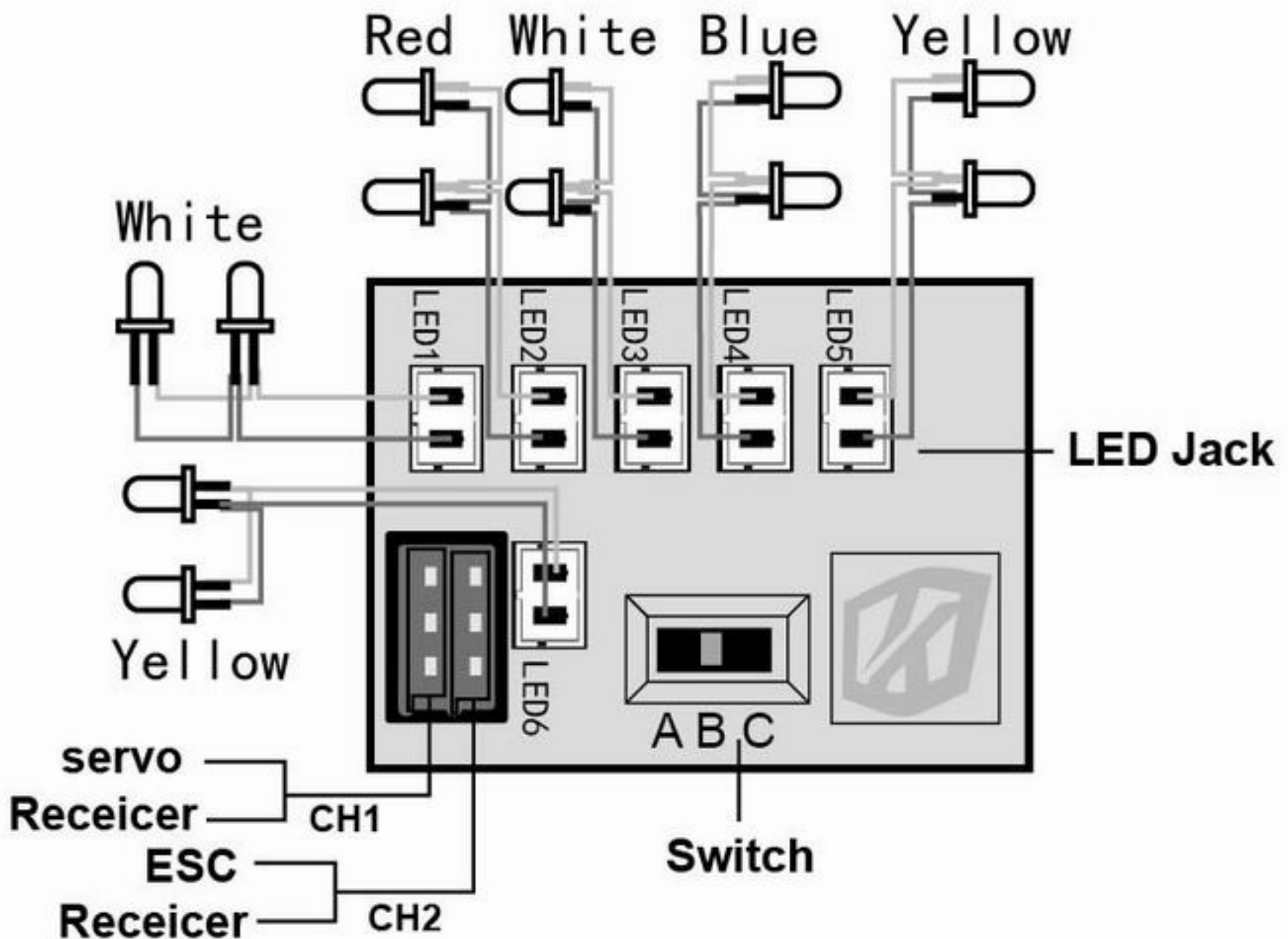


# killerbody™

## LED Light System w/Control Box (12 LEDs) Used with 1/10 RC car NO. 48102

⚠ Not all the Radio Controller System compatible with this LED control box.

Due to limited wire length of the LED lights set, please pre-check proper fixture location before using 3M double-sided tape to fix it. We suggest to fix the LED lights set at the nearest area to the signal receiver which on the bottom of the chassis.



### Port B

#### Function:

- 1) All lights will flash when power connected.
- 2) LED 1 (2 white lights) will light up when received backward signal.
- 3) LED 4 (2 blue lights) will light up dimly when power connected, and will light up when signal from backward to forward.
- 4) LED 3 (2 white lights) will light up when received forward signal.
- 5) LED 2 (2 red lights) will light up dimly when power connected, and will light up when brake.
- 6) LED 5 (left-turn light, 2 yellow lights) will flash when received left turn signal.
- 7) LED 6 (right-turn light, 2 yellow lights) will flash when received right turn signal.