

**MITSUBISHI
PAJERO EVO 1998
BODY SHELL
NO.48399**

**MITSUBISHI
PAJERO EVO "Mitsubishi Oil"
1998 Dakar Rally
NO.48400**

Official Licensed Product

killerbody™

1/10 RC PLANNING INSTRUCTION SHEET

This body can be used with 1/10 Extreme Terrain Truck (Long Wheelbase:280mm Width:210mm)
Fit for Traxxas 1/10 Telluride 4X4 Truck & Tamiya 1/10 HILUX HIGH-LIFT 4X4 Truck

Before beginning assembly, please read these instructions thoroughly!

● Symbols used throughout the instruction manual, comprise:



Cut off shaded portion.



5mm
Drill holes with
the specified diameter.



Pay close attention here!



Must be purchased
separately.



Assemble left and right sides
the same way.



● Before Assembly

Decoration Body

- ▶ In the case of a decoration body, please assemble it according to the contents showed.

When making the window transparent:

- ▶ If you want to make the window transparent with a non decoration body, please assemble it according to the contents showed.

Non Decoration Body

- ▶ In the case of non decoration body, please assemble it according to the contents showed.

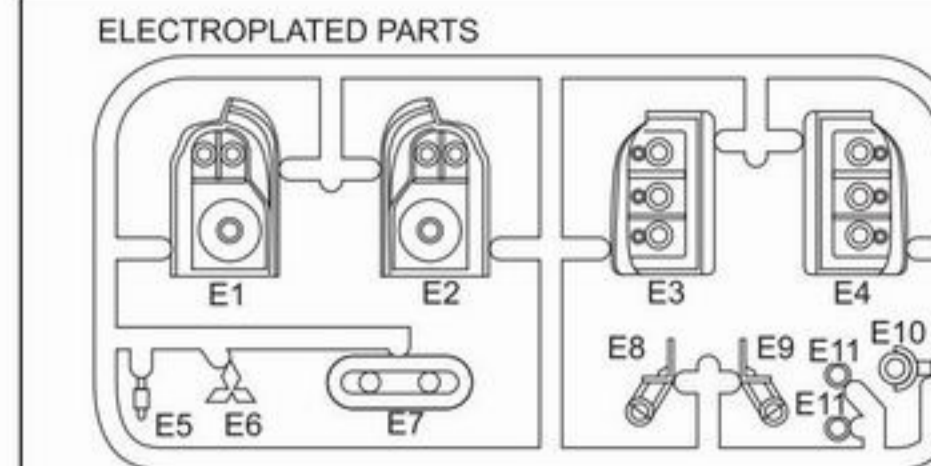
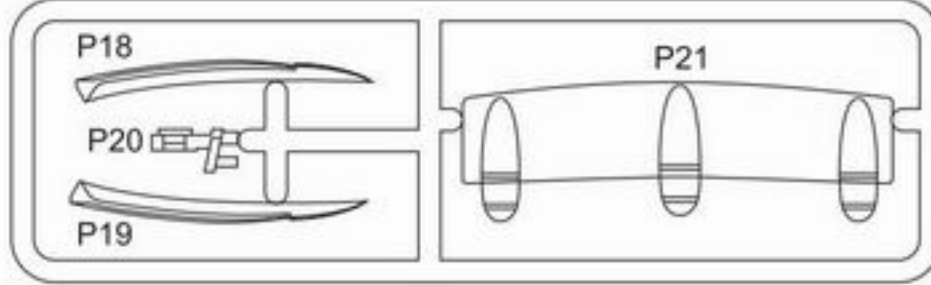
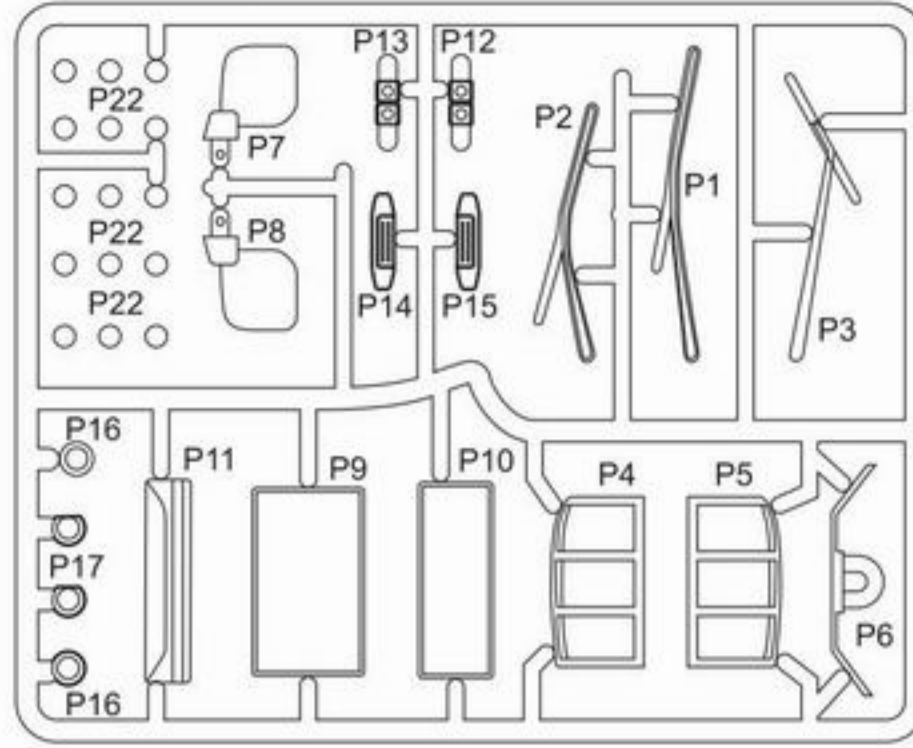
When loading LED lights

- ▶ If you want to load LED lights with a non decoration body, please assemble it according to the contents showed.

PARTS

BODY	-----	X1
PLASTIC PARTS	-----	X1
PC PARTS	-----	X1
DECAL SHEET	-----	X2
ELECTROPLATED PARTS	-----	X1
WINDOW MASKS	-----	X2
SILVER MIRROR DECAL	-----	X1
PARTS BAG		
	LED STOPPER	----- X12
	CLIP	----- X2
	O-RING	----- X2
	TAPPING SCREW	----- X16
	DOUBLE-SIDED TAPE	----- X1
	ALUMINUM TAPE	----- X1

PLASTIC PARTS



SILVER MIRROR DECAL

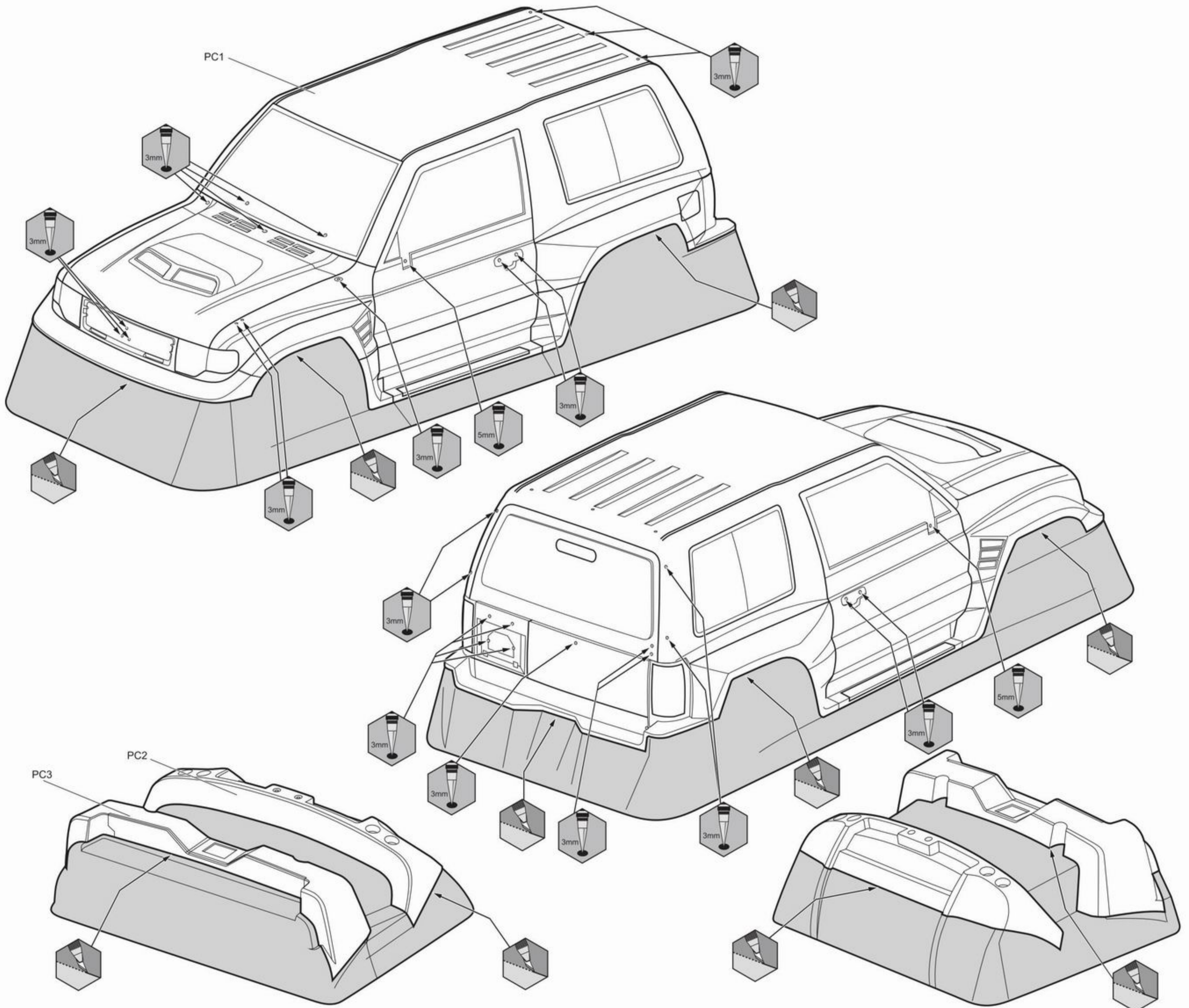


1 Body Shell

Non Decoration Body

When making the window transparent:

When loading LED lights



2 Painting

Non Decoration Body

When loading LED lights

PC1 PC2 PC3

1 Before painting, use a neutral detergent to remove any oil residues and dirt.

When making the window transparent

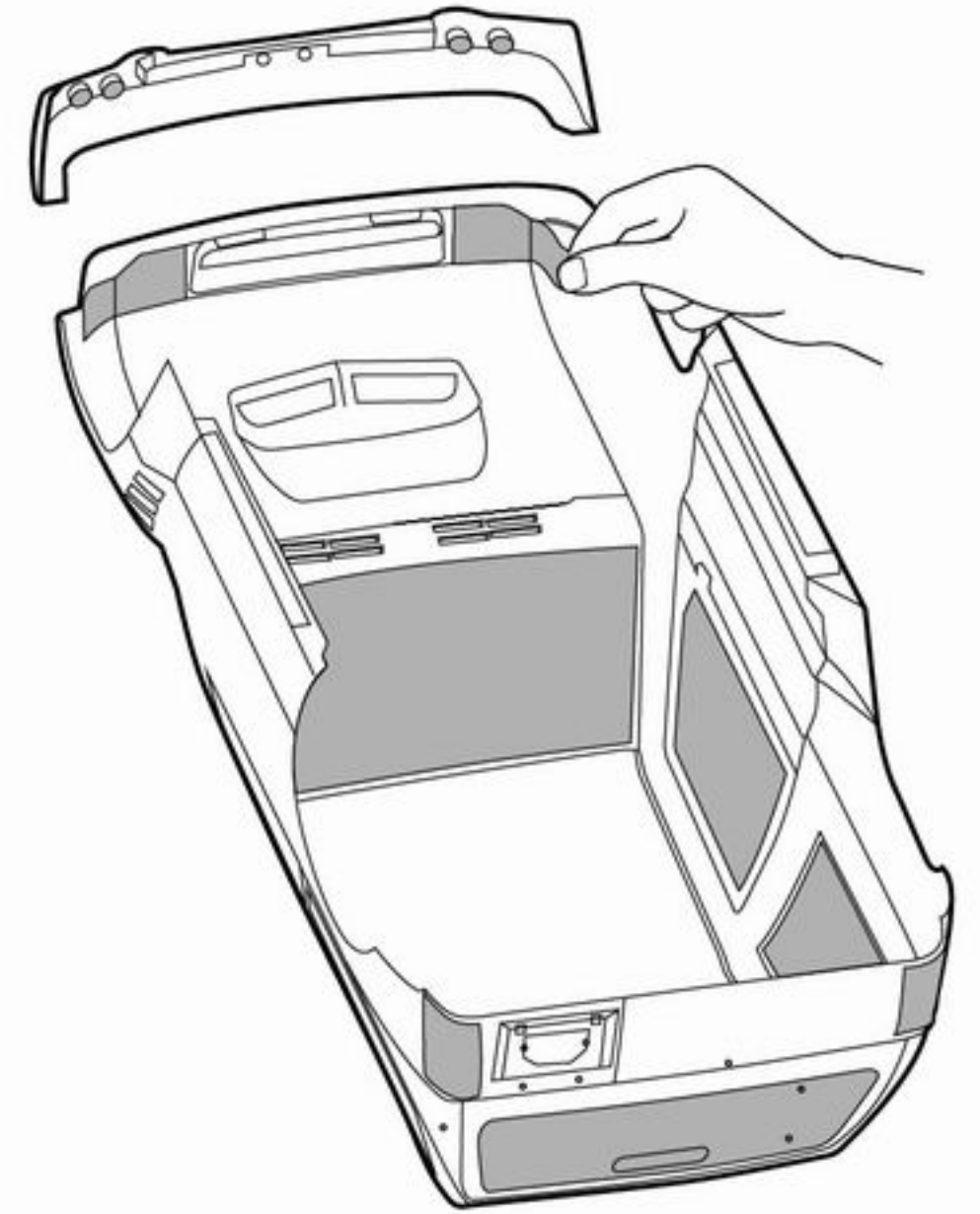
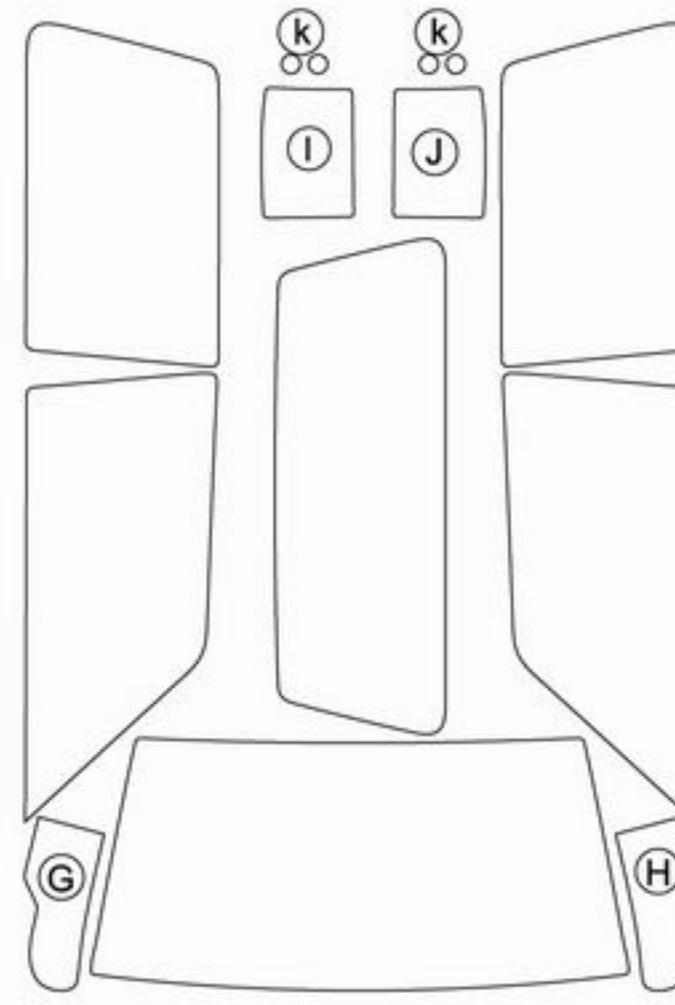
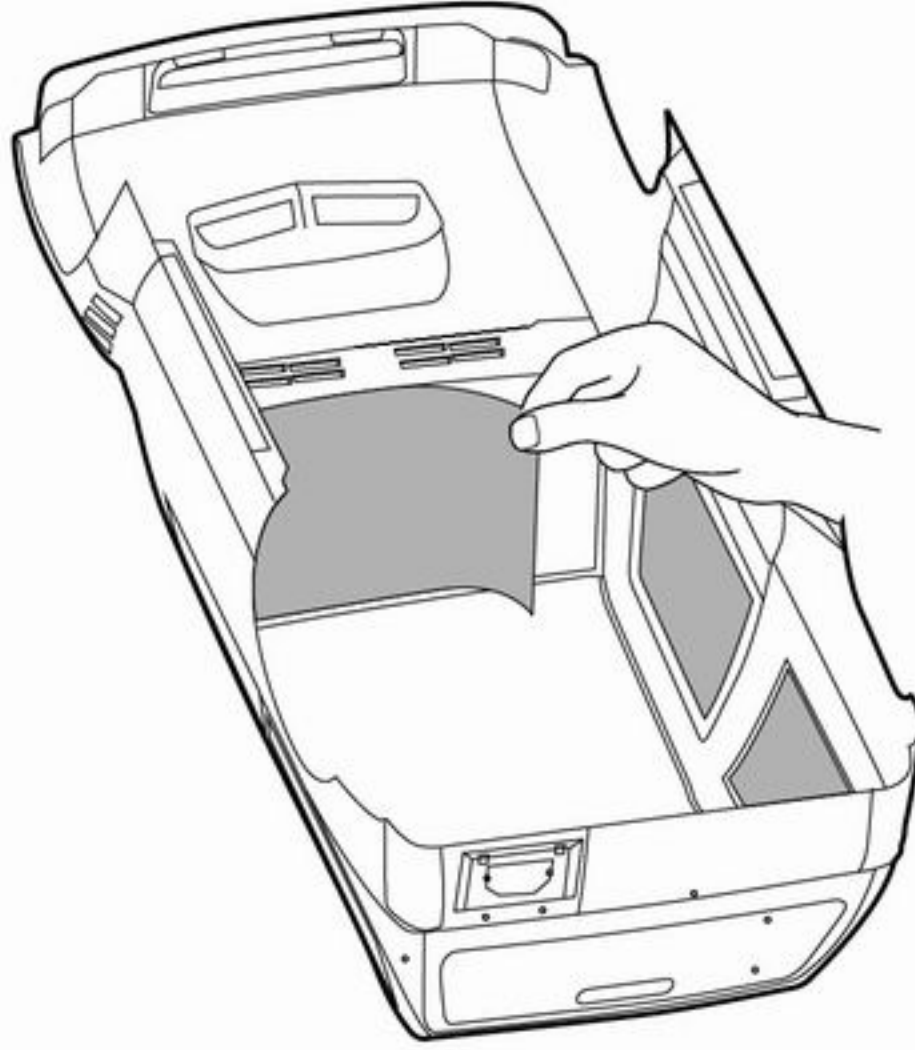
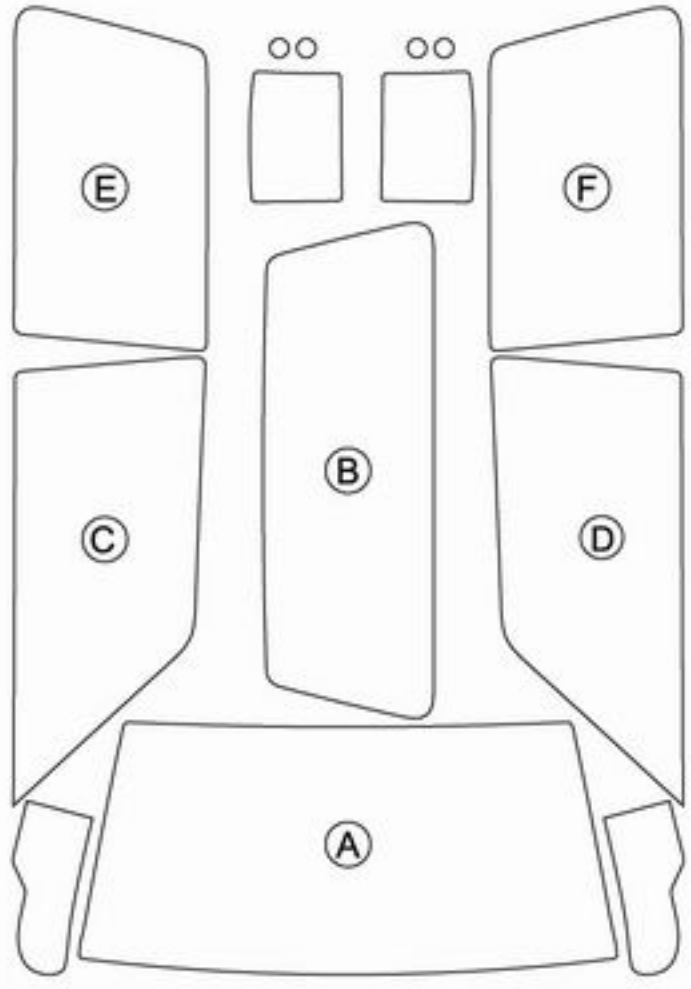


When making the window transparent:

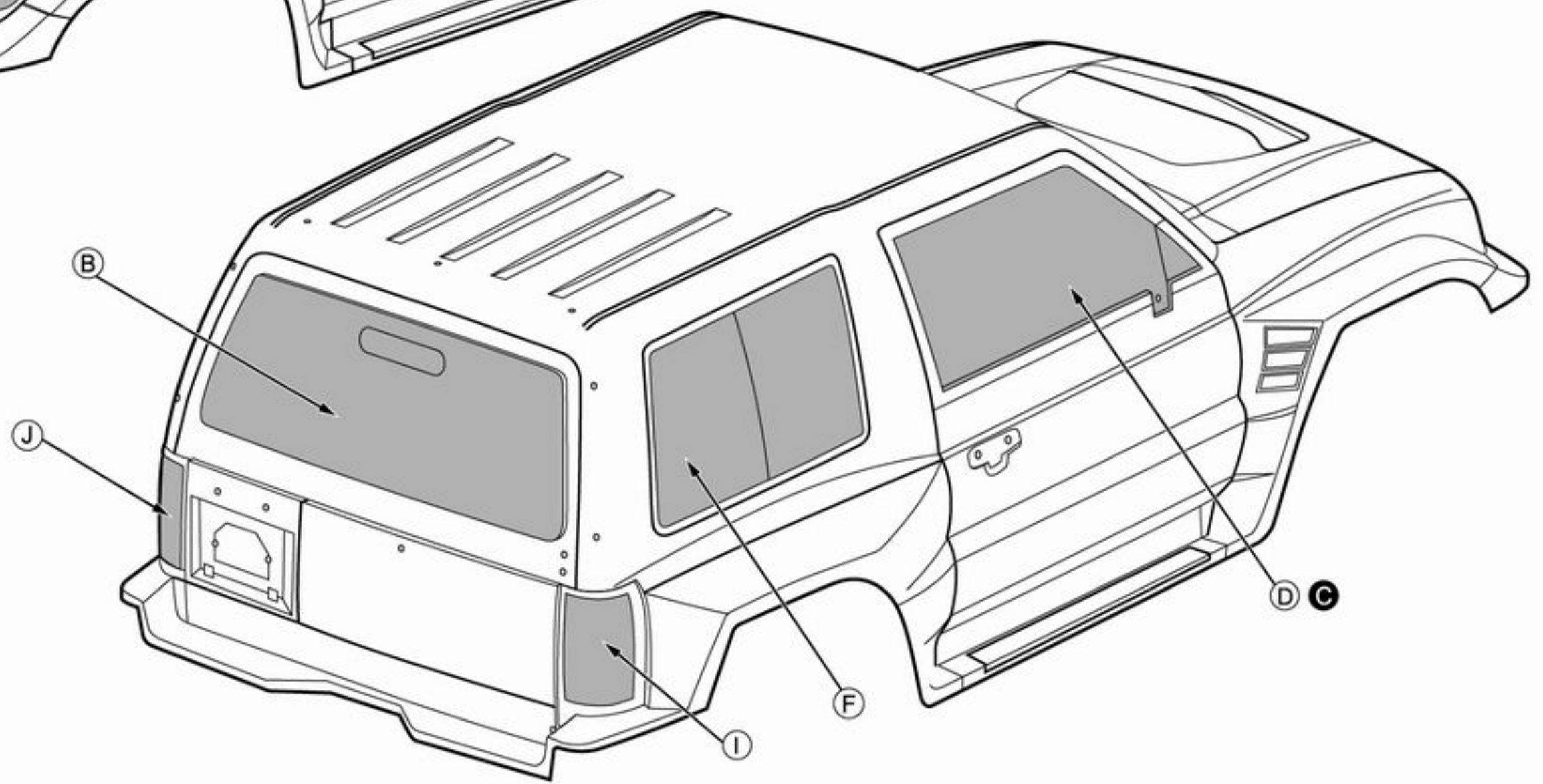
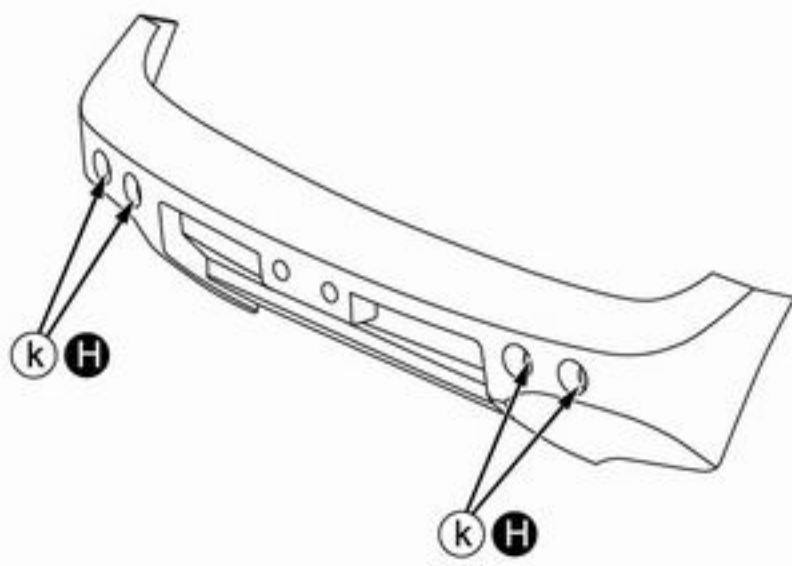
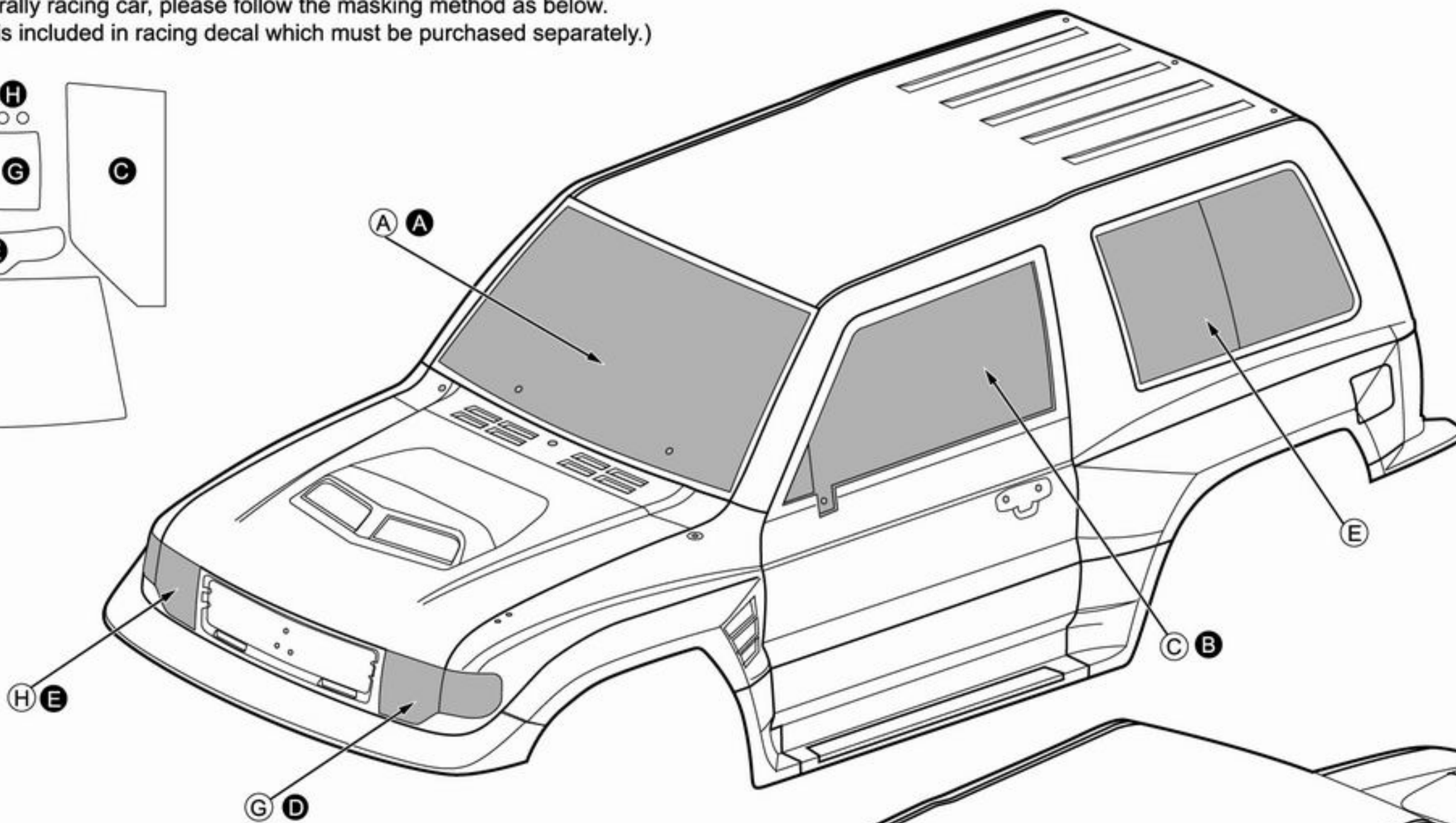
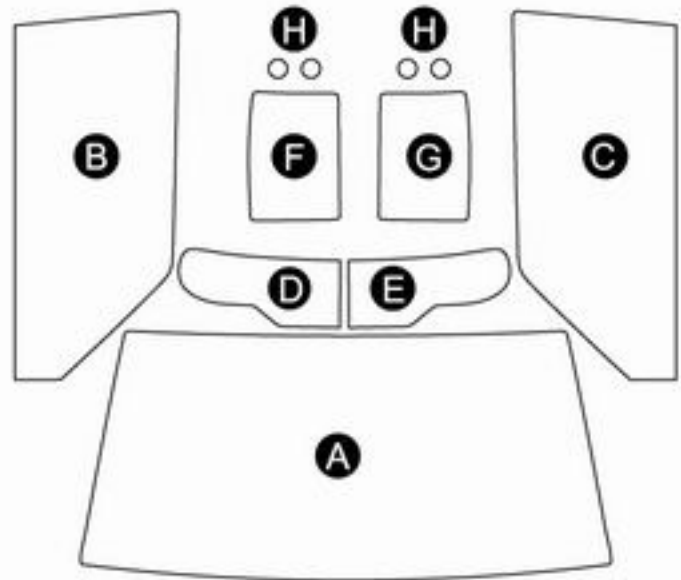
When loading LED lights

2 Mask the windows from the inside.

2 Mask the lights from the inside.

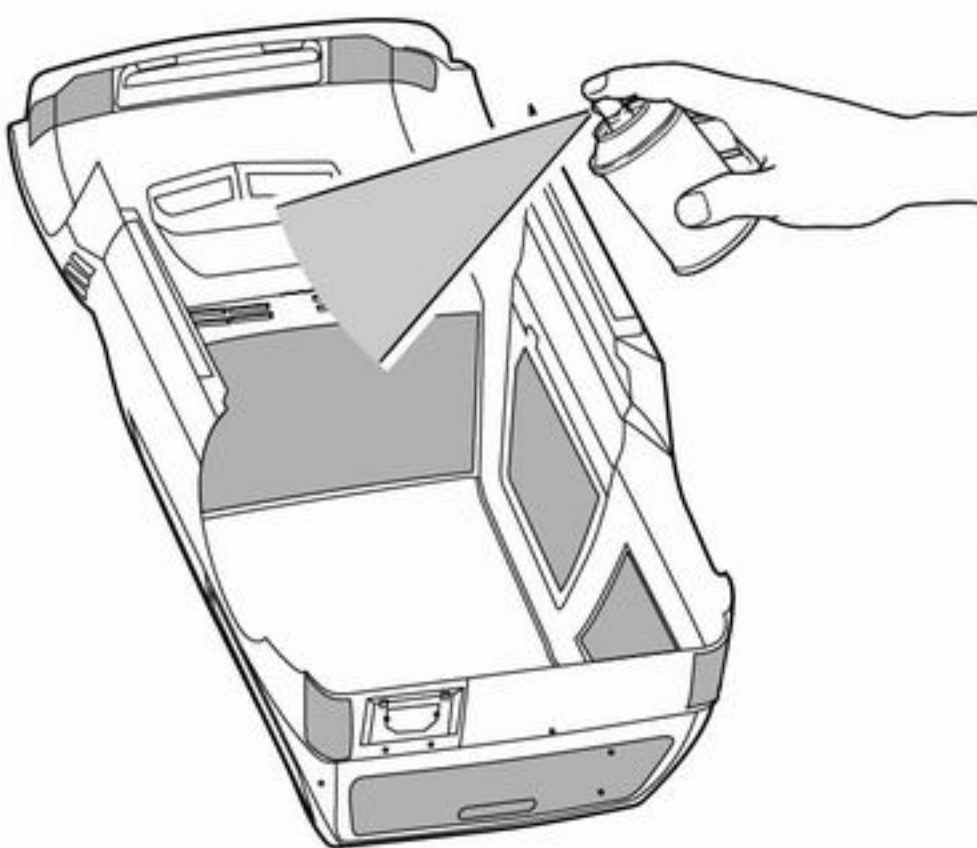


When you paint the rally racing car, please follow the masking method as below.
(This window mask is included in racing decal which must be purchased separately.)

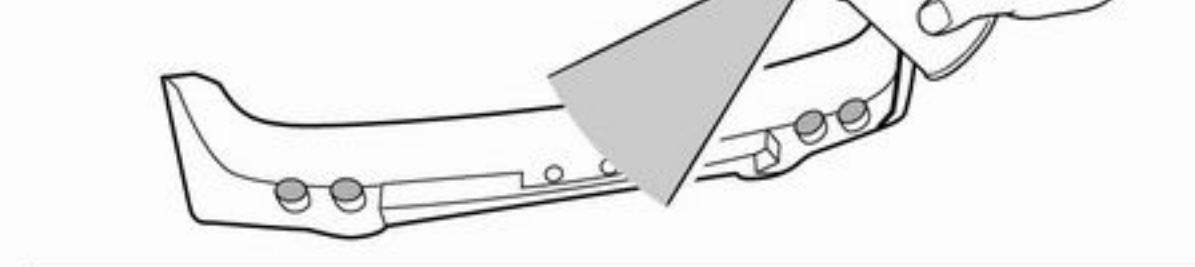


3 Paint white & silver spray color from the inside.
Rear wing from the outside using spray colors.

PC1



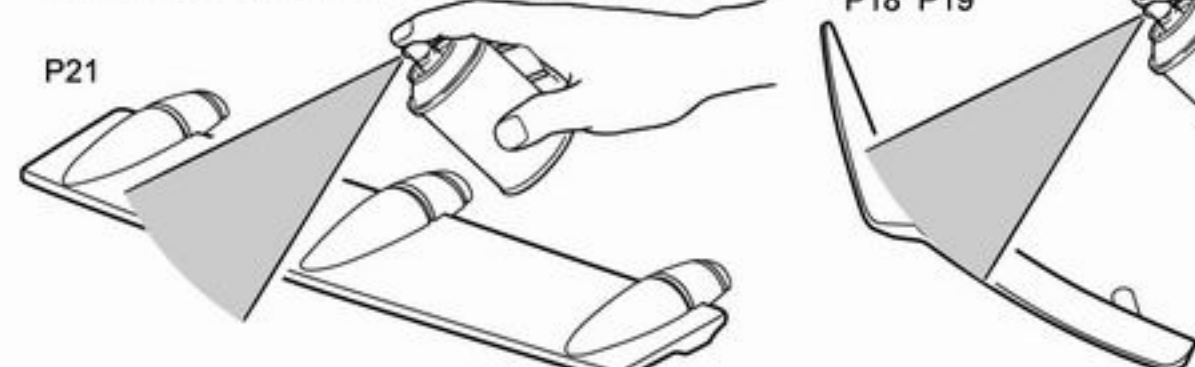
Paint silver spray color from the inside.
PC2



Paint white spray color from the inside.
PC3

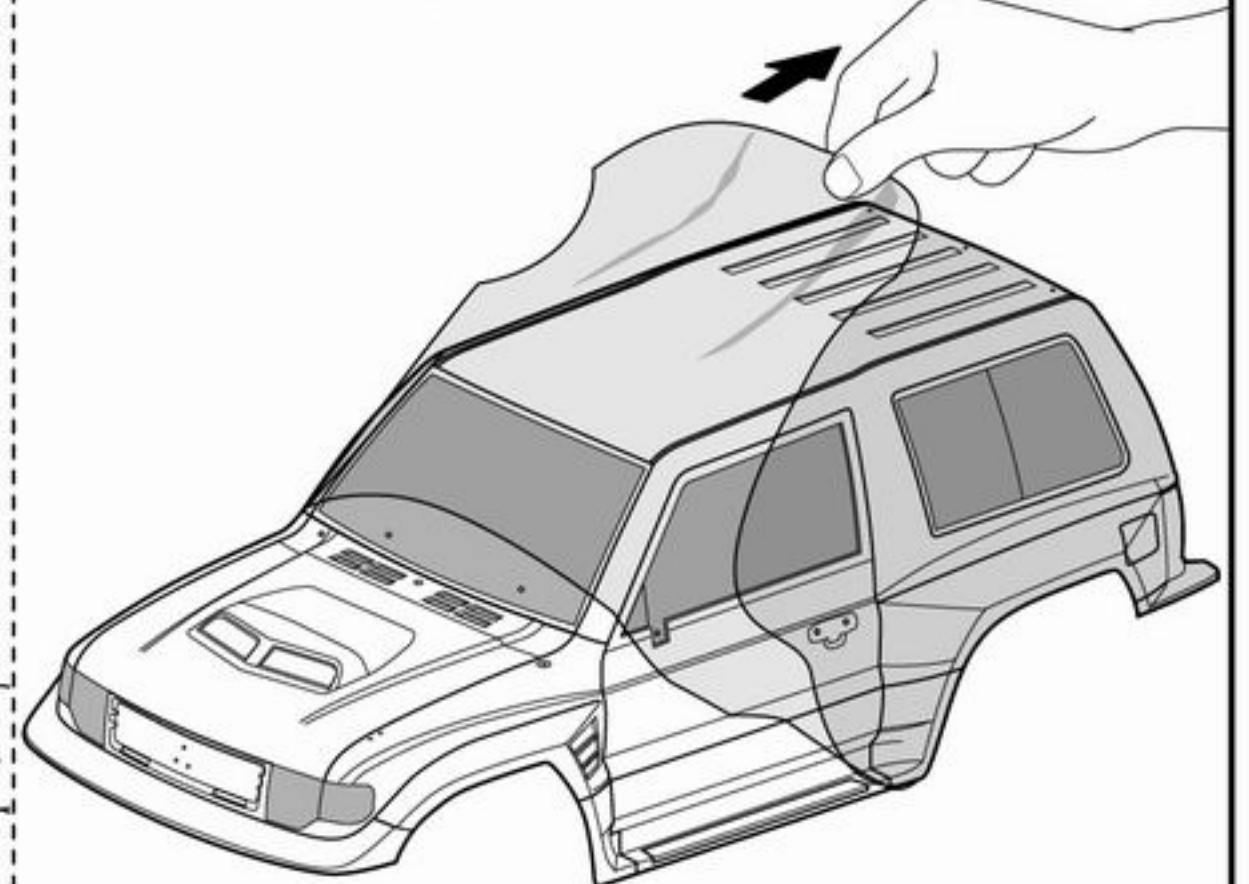


Paint white spray color from the outside.



P18 P19

4 After painting, remove the protective film from the body shell.



3 PC Parts

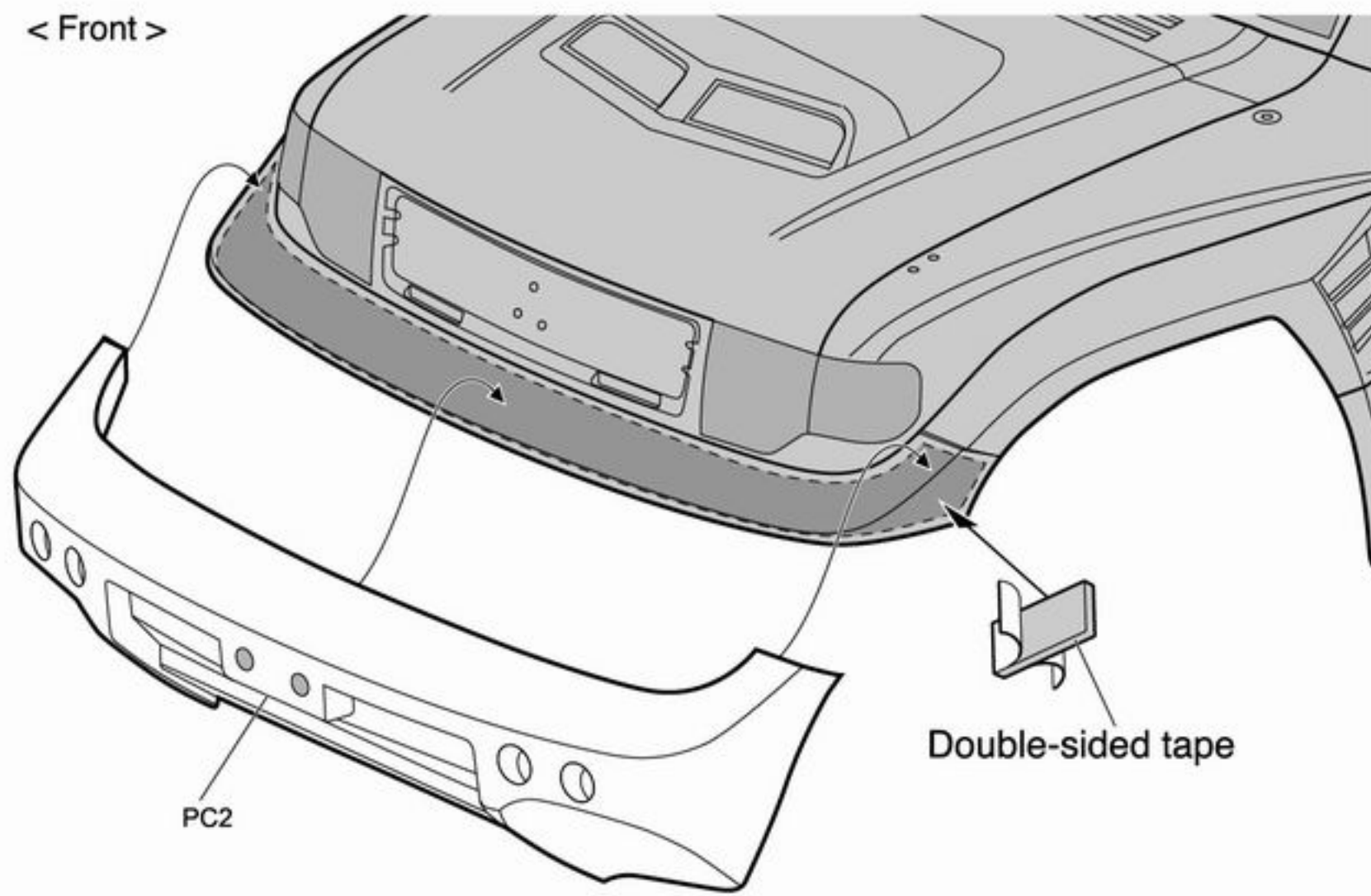
Decoration Body

Non Decoration Body

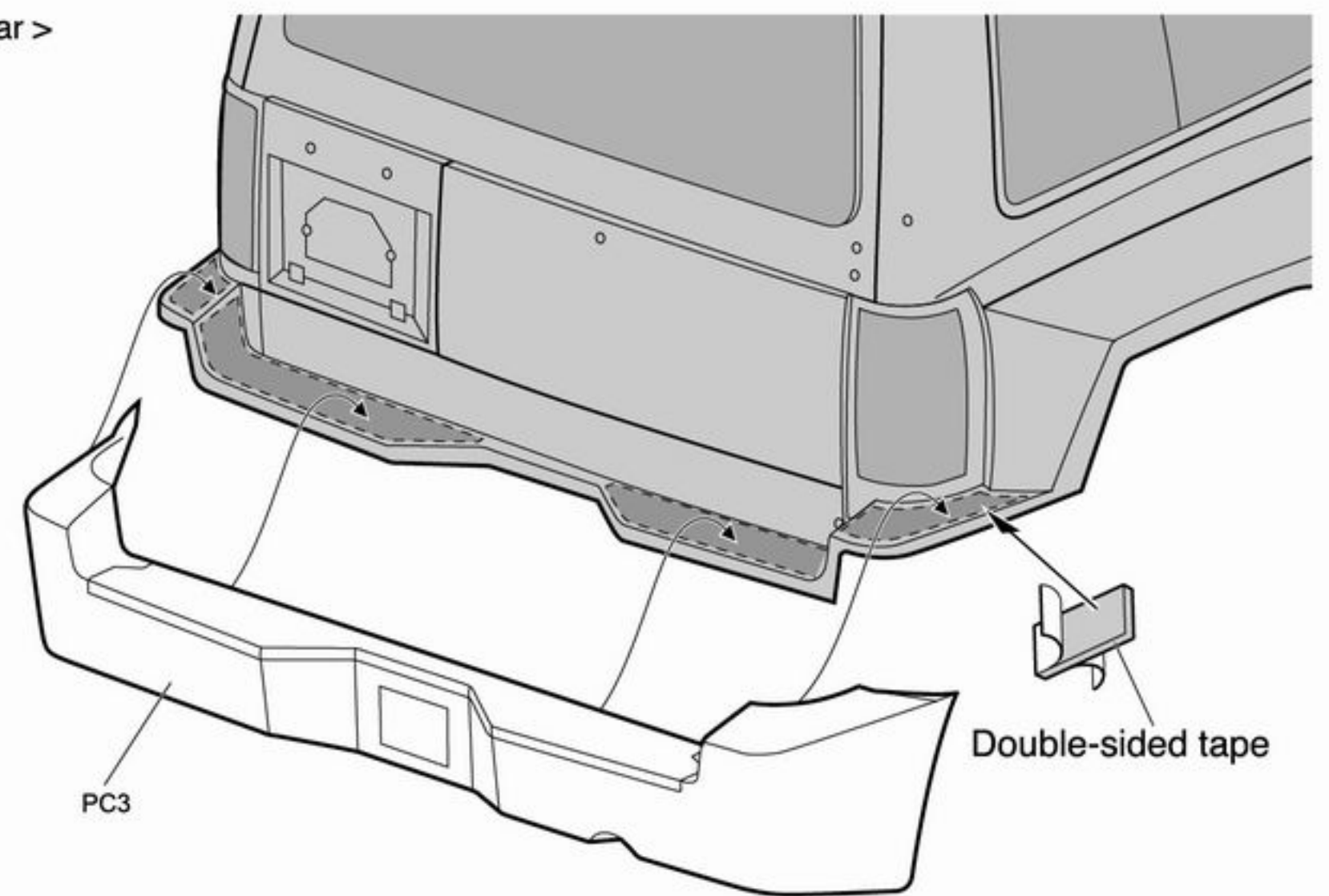
When making the window transparent:

When loading LED lights

< Front >



< Rear >



4 Decal

Non Decoration Body

When making the window transparent

When loading LED lights

▶ The decal numbers between brackets are only for the opposite side.

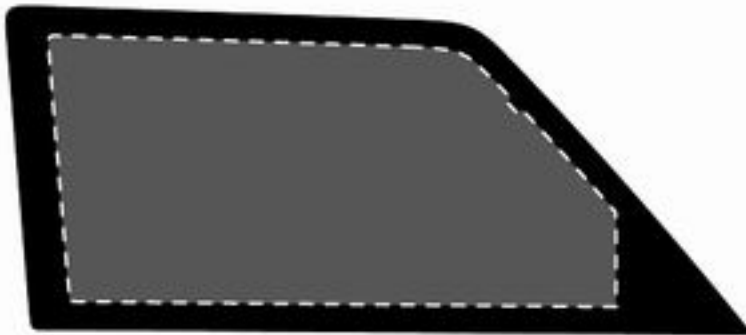
<Decal>

When making the window transparent



▶ ① ② ③ ④ ⑤ ⑥

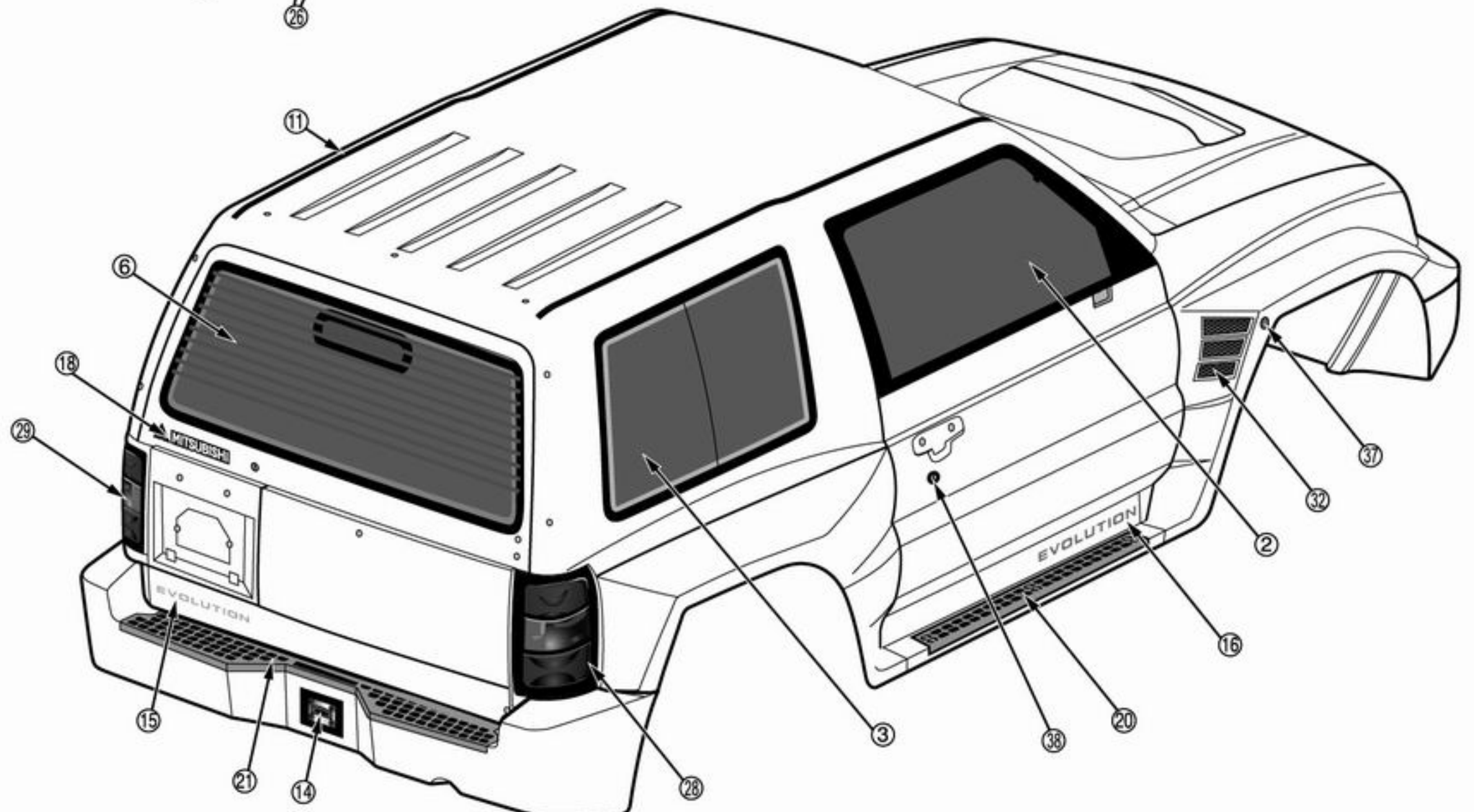
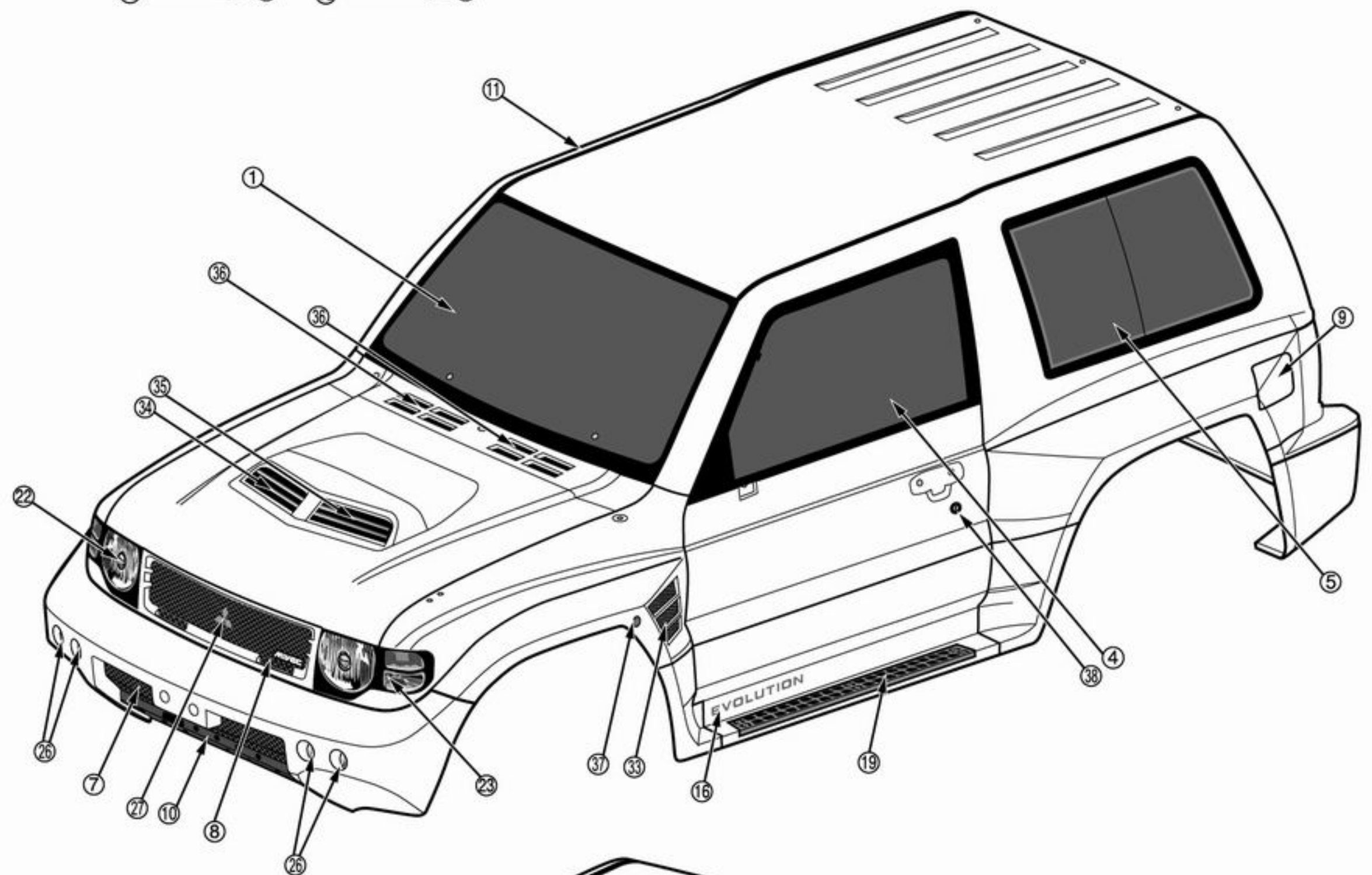
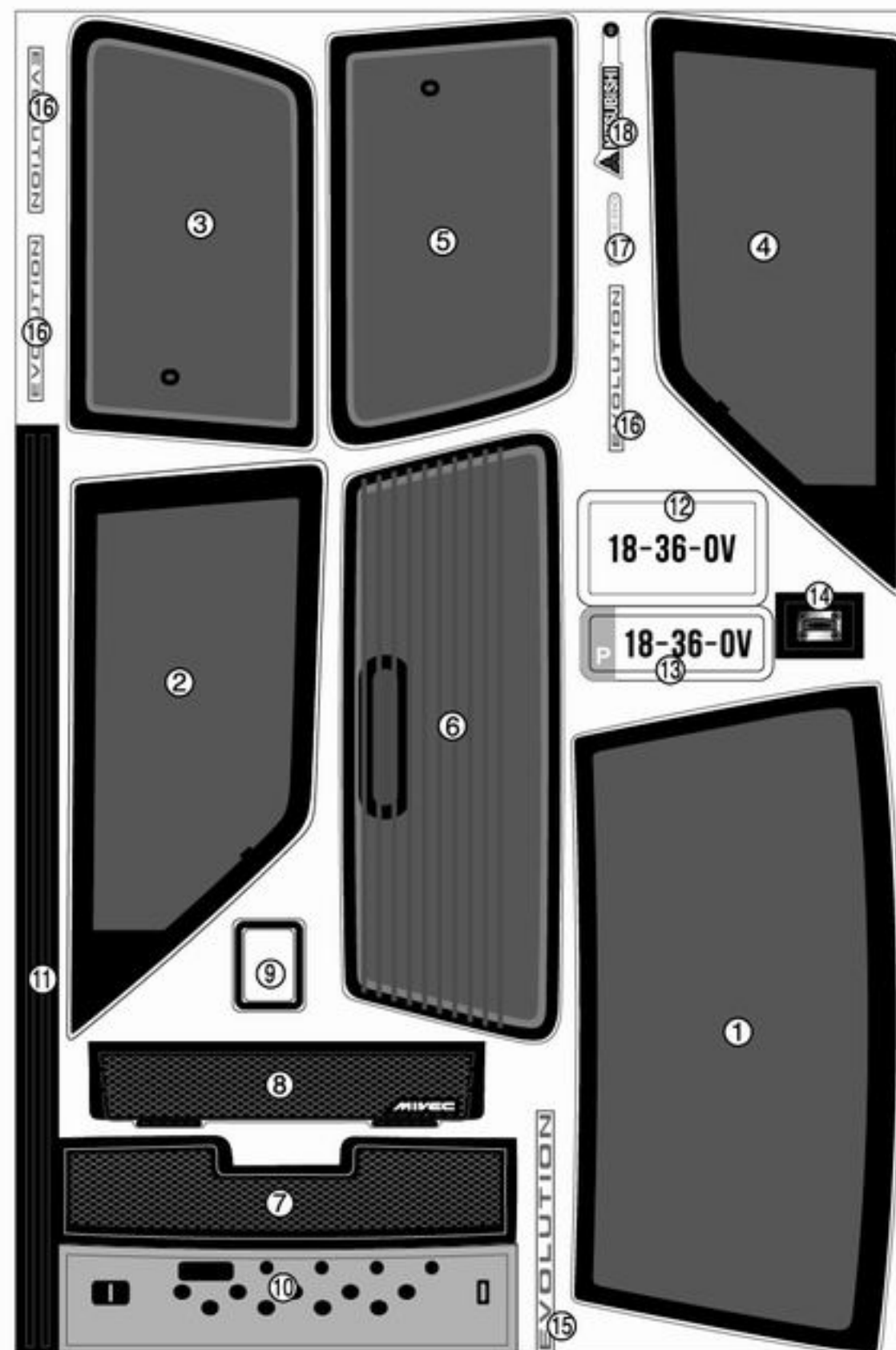
Cut the translucent (smoked color) part.



When reproducing the light by decal

▶ Change the decal according to the following contents.

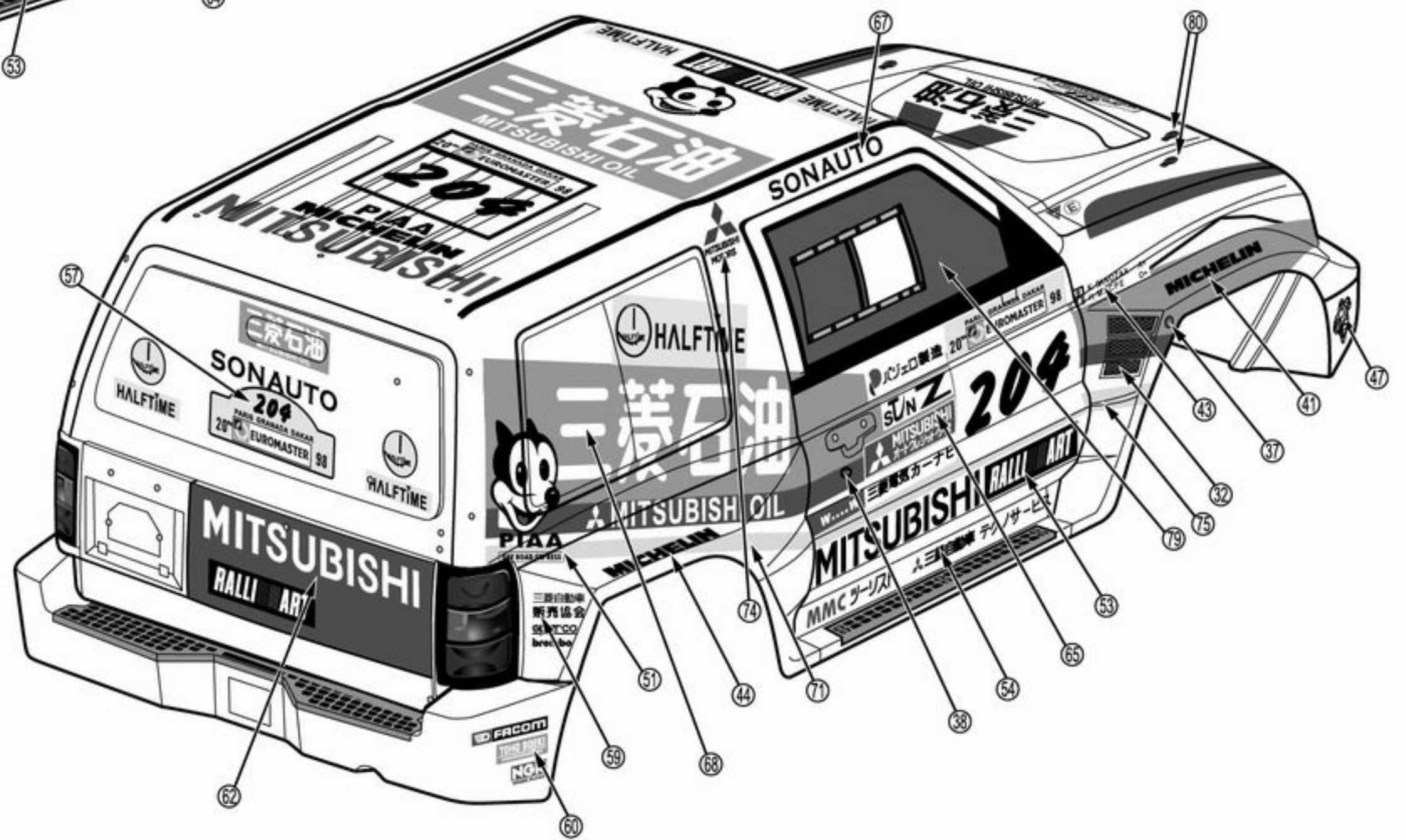
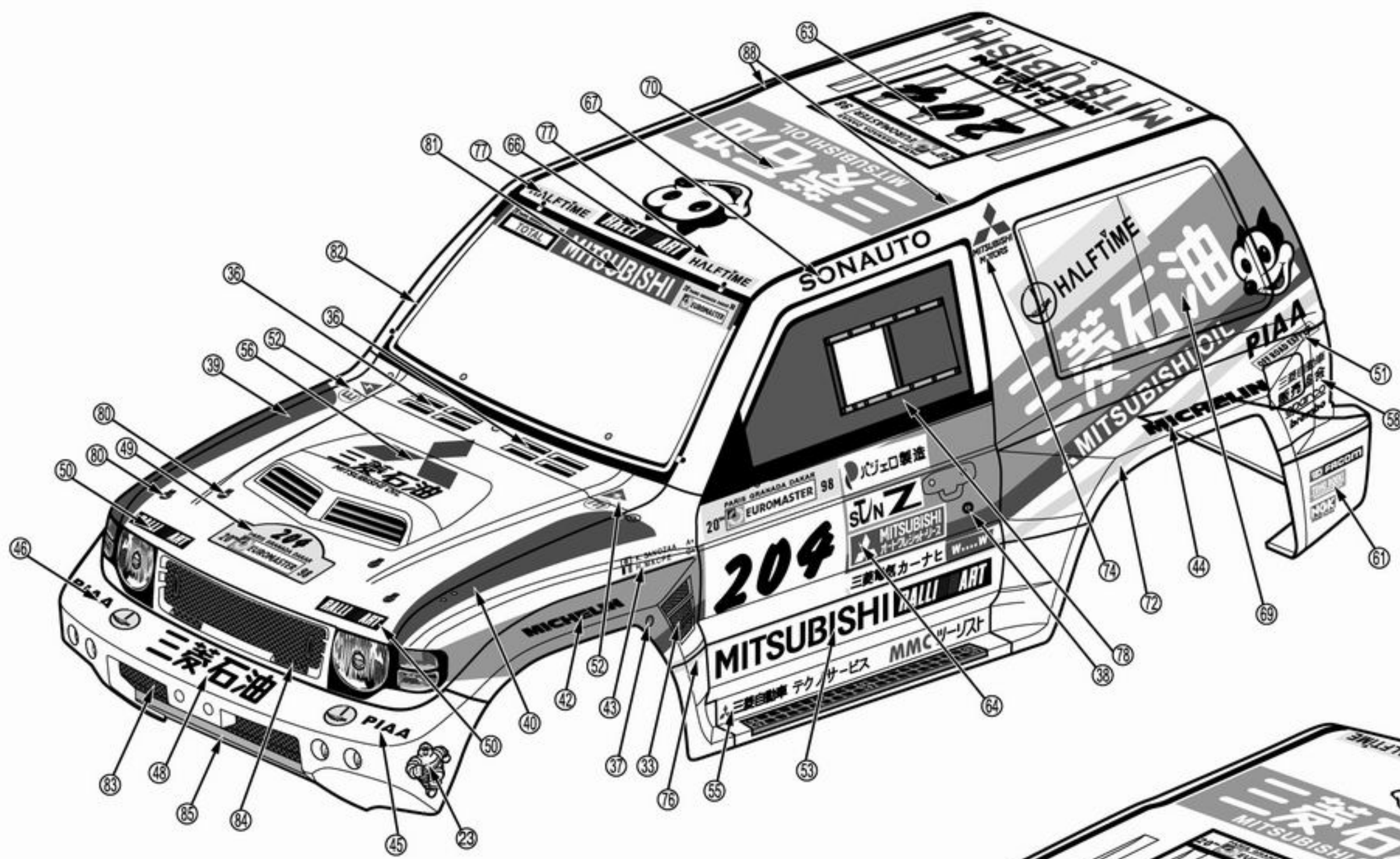
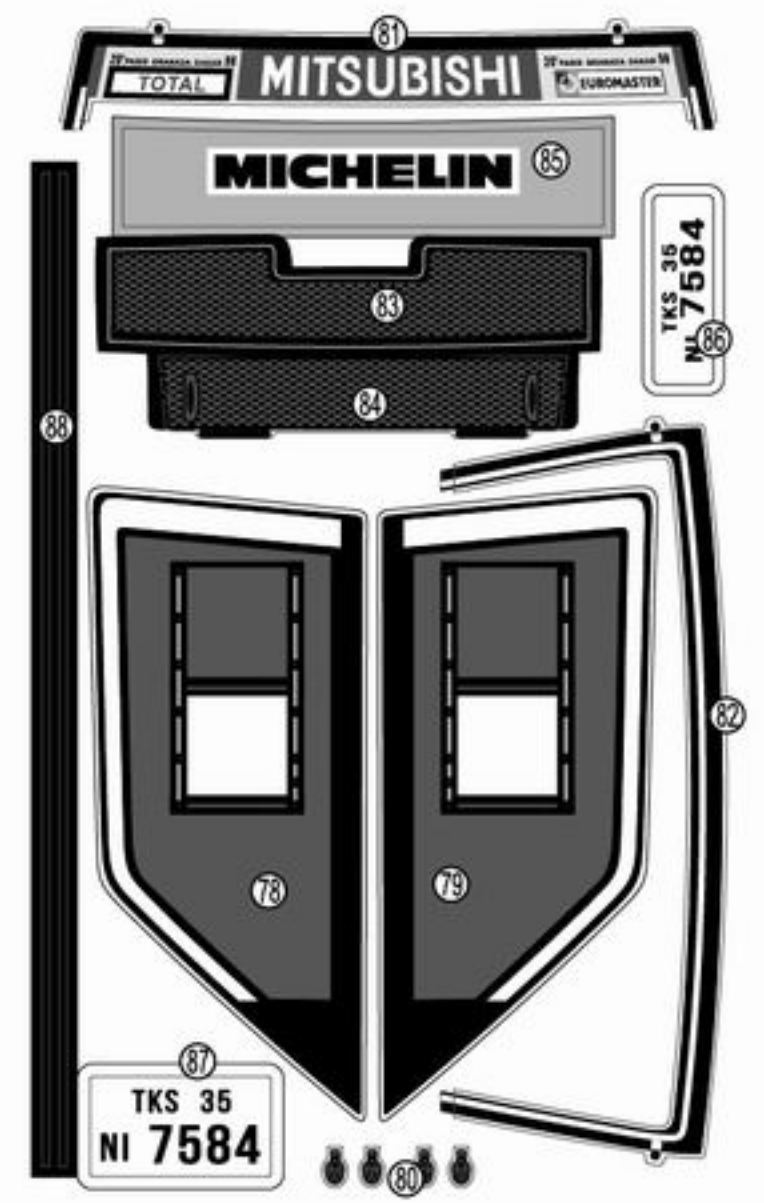
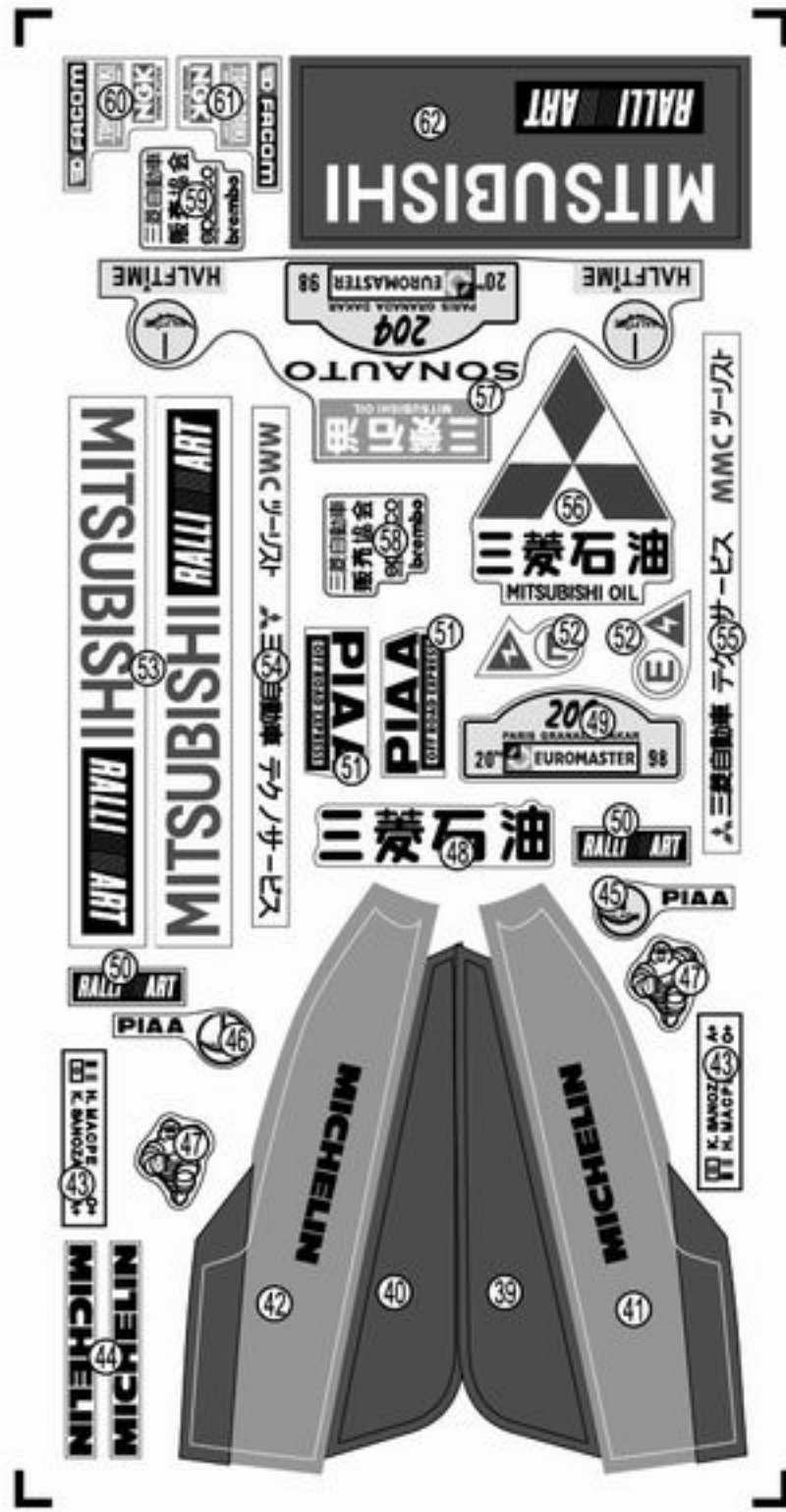
- | | |
|---------|---------|
| 22 → 24 | 23 → 25 |
| 28 → 30 | 29 → 31 |
| 12 → 37 | 13 → 38 |





Decal for racing

Must be purchased separately.



5 Plastic Parts

Decoration Body

Non Decoration Body

When making the window transparent:


When loading LED lights

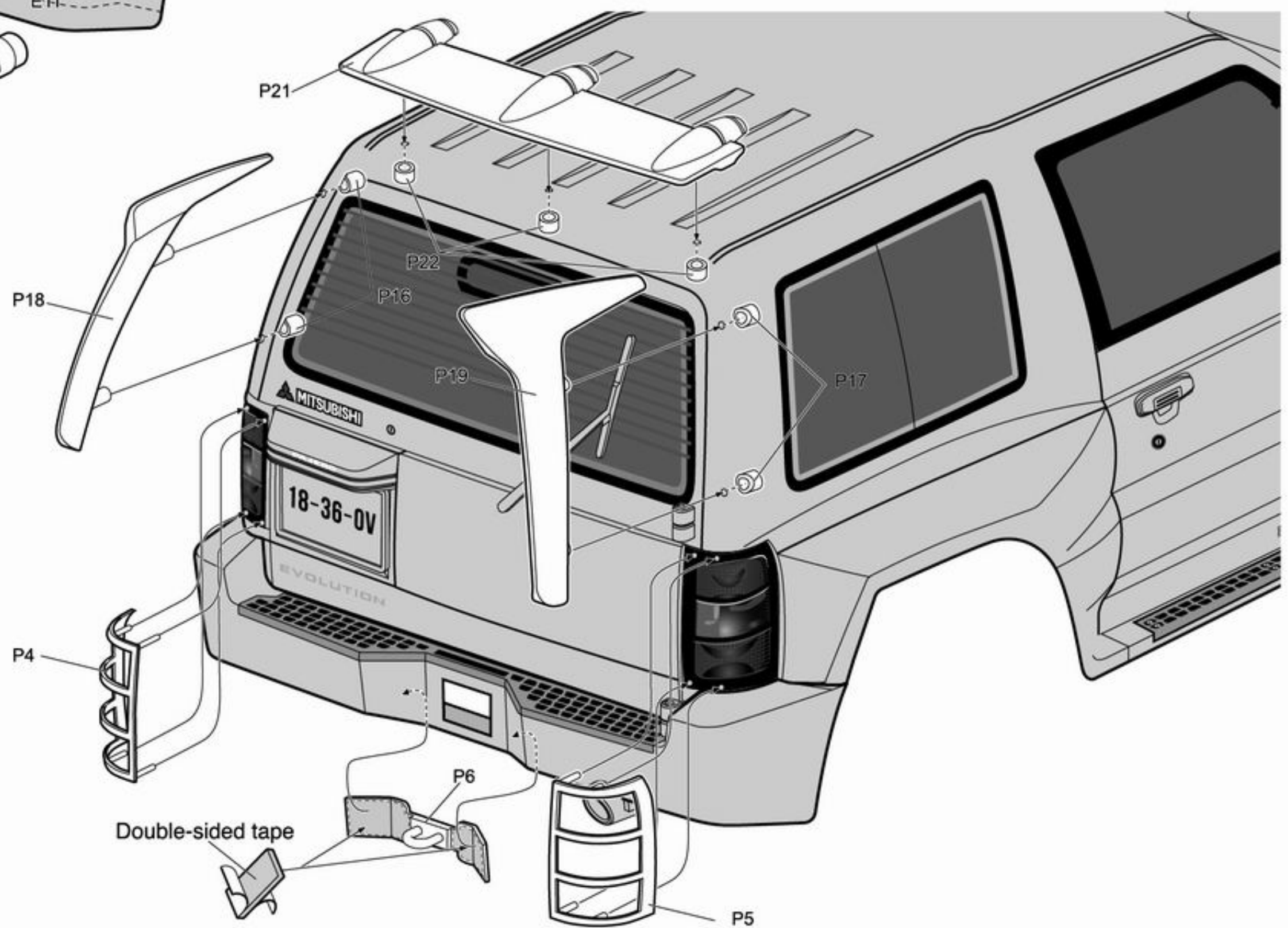
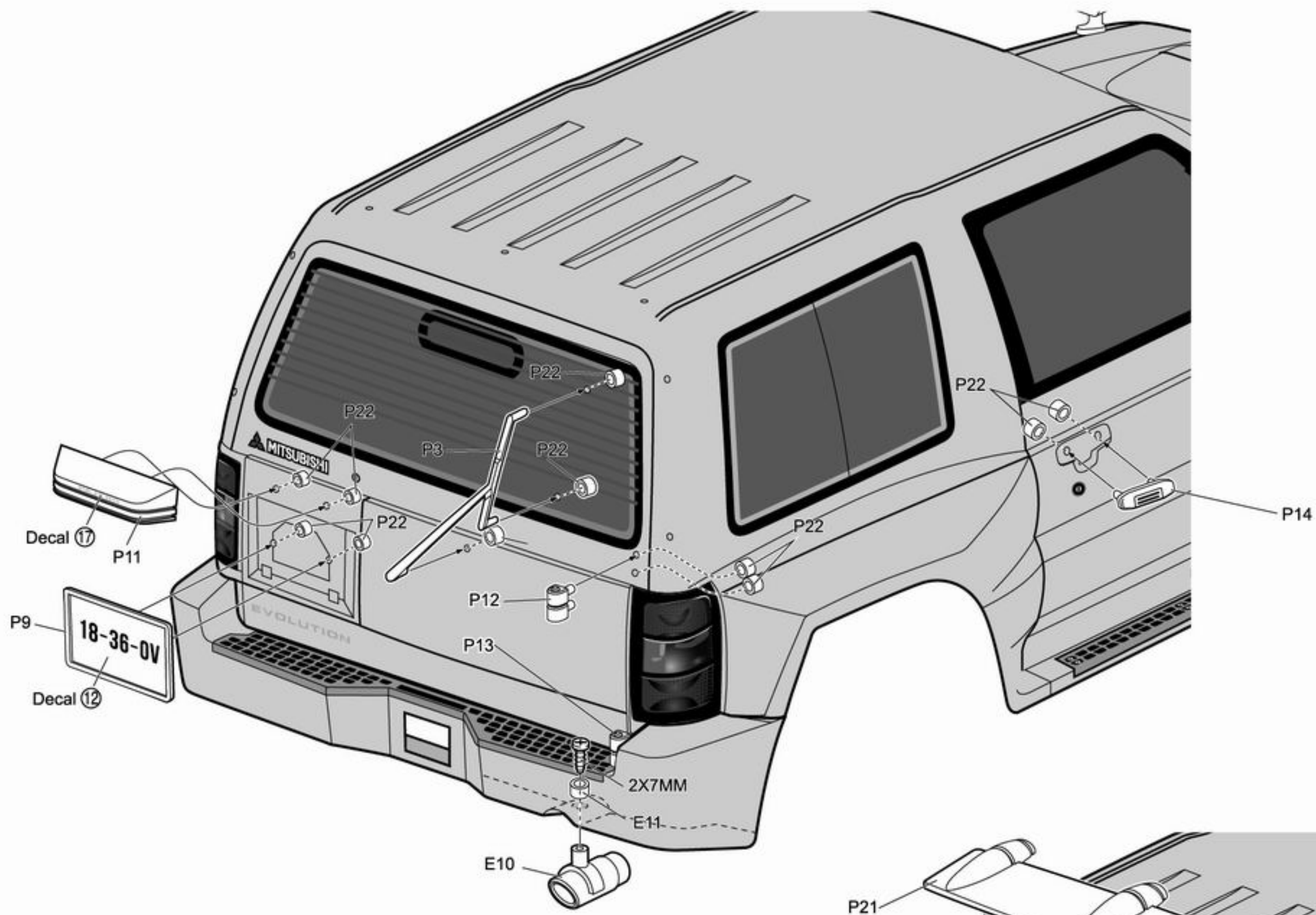
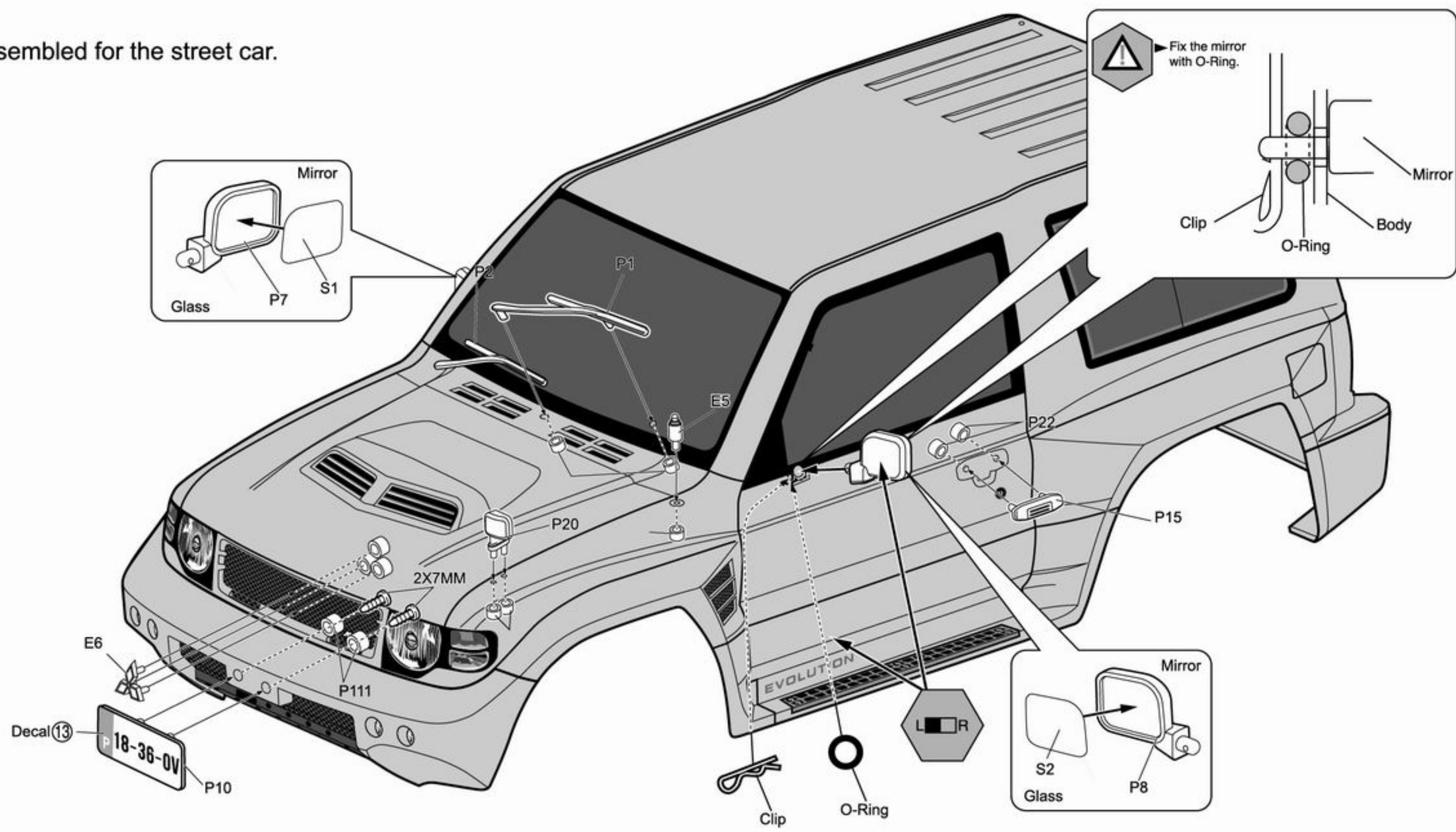
CLIP
 2


2X7MM F/H TP SCREW
 2

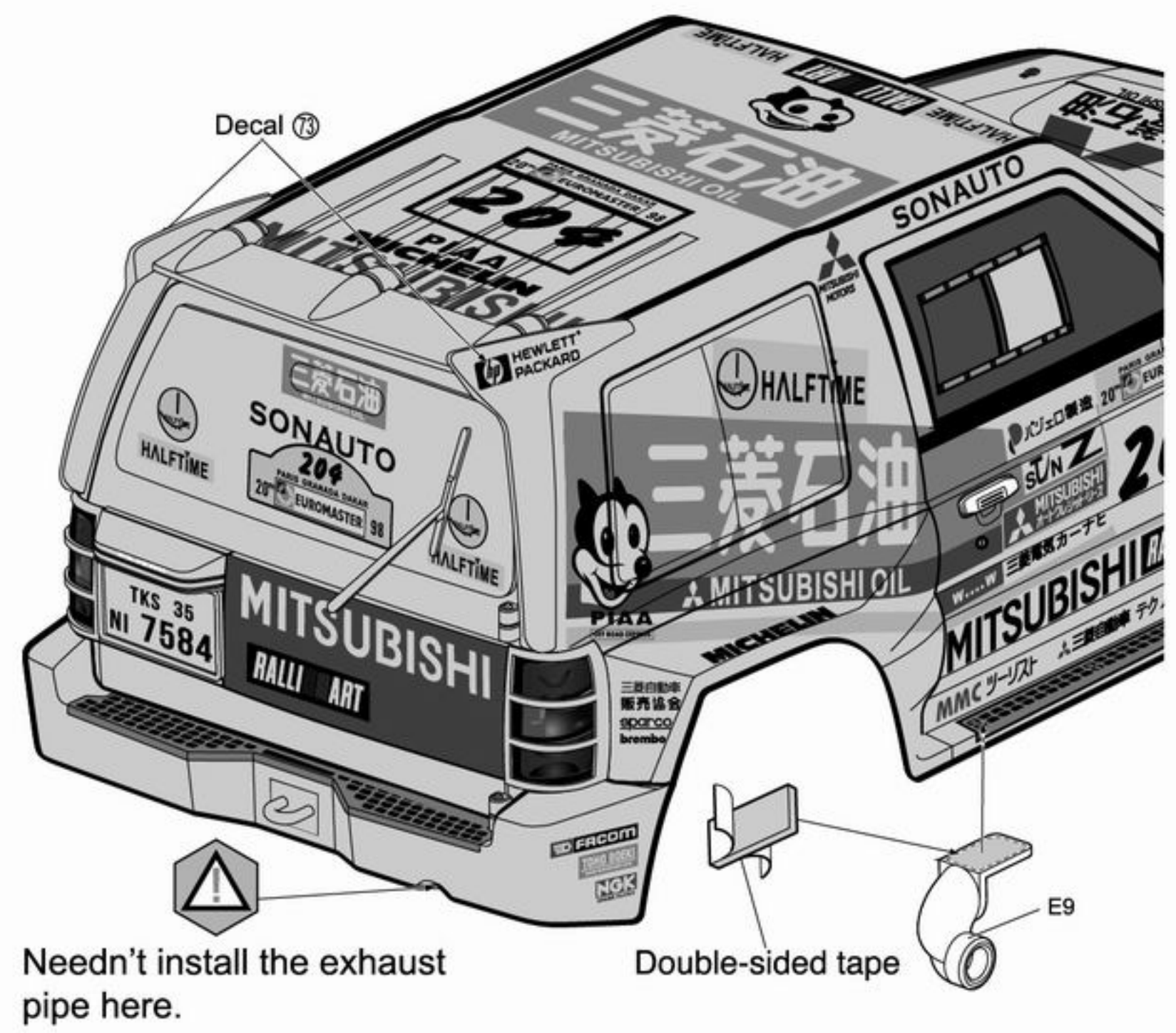
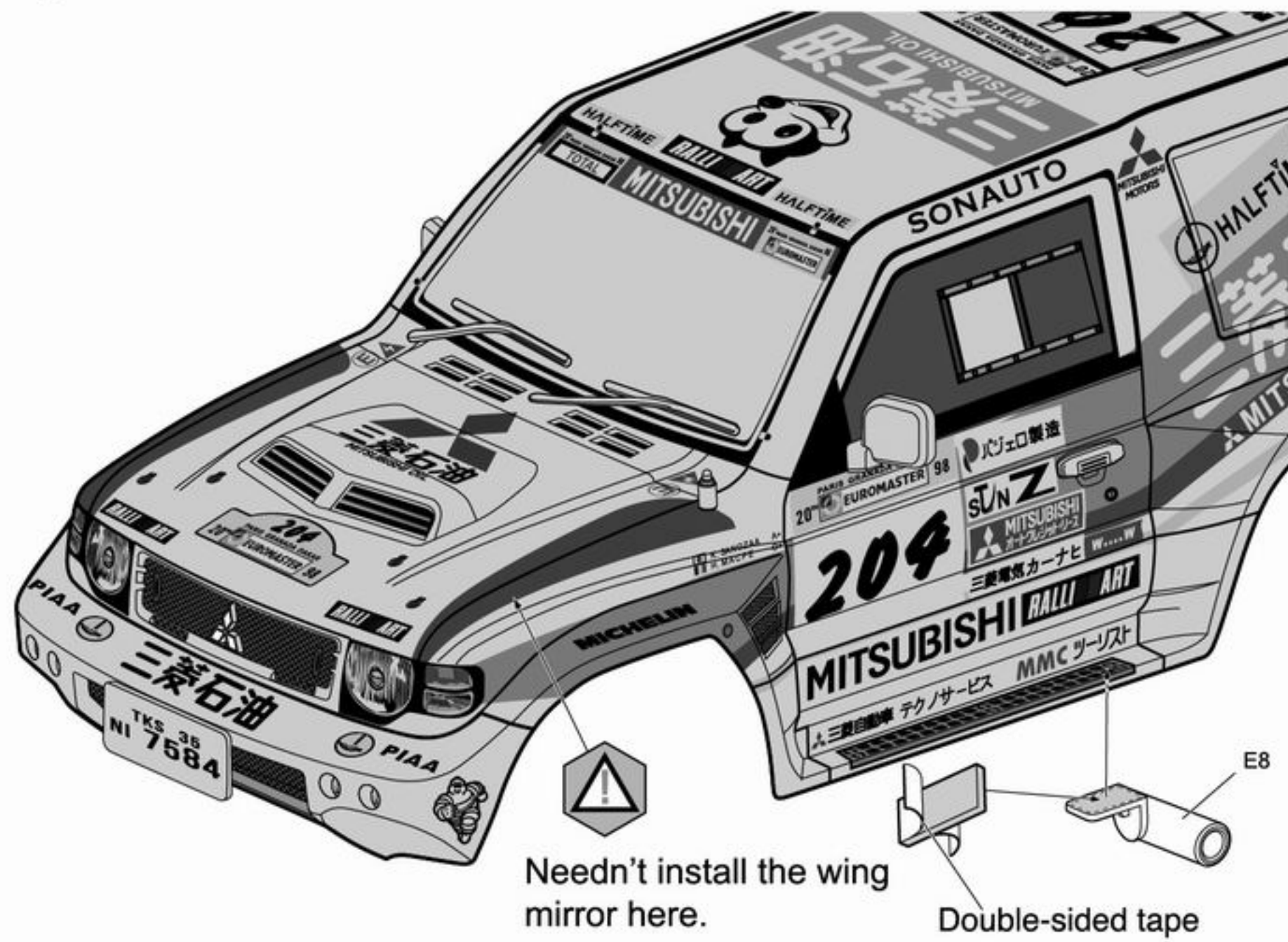
O-RING
 2

PLASTIC PARTS
 30

 Assembled for the street car.



 Assembled for the rally racing car.



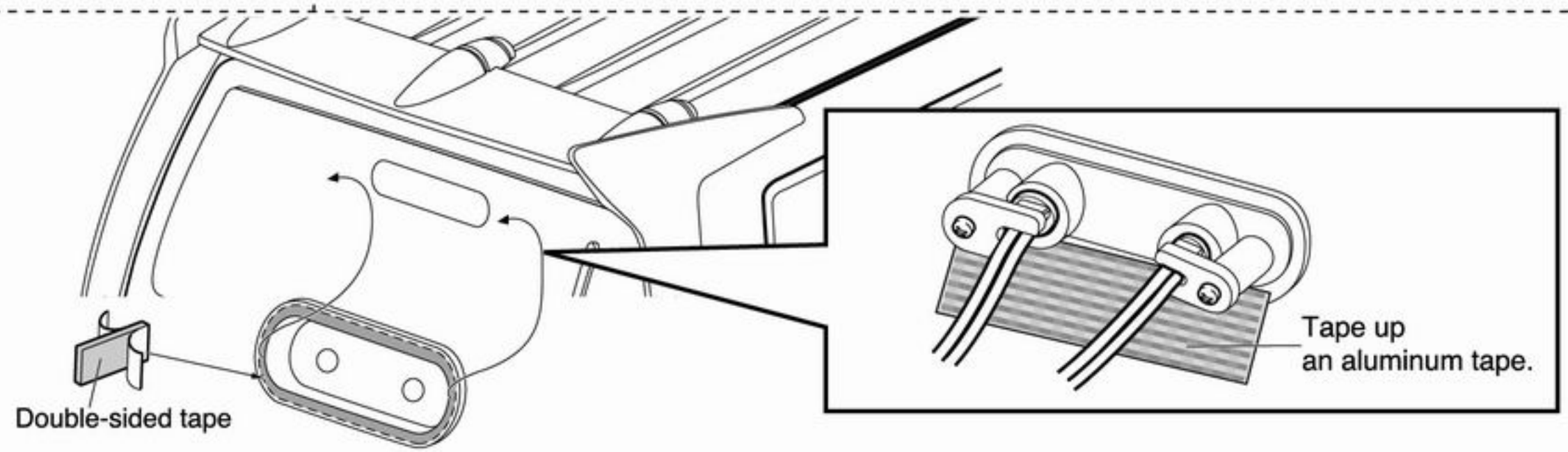
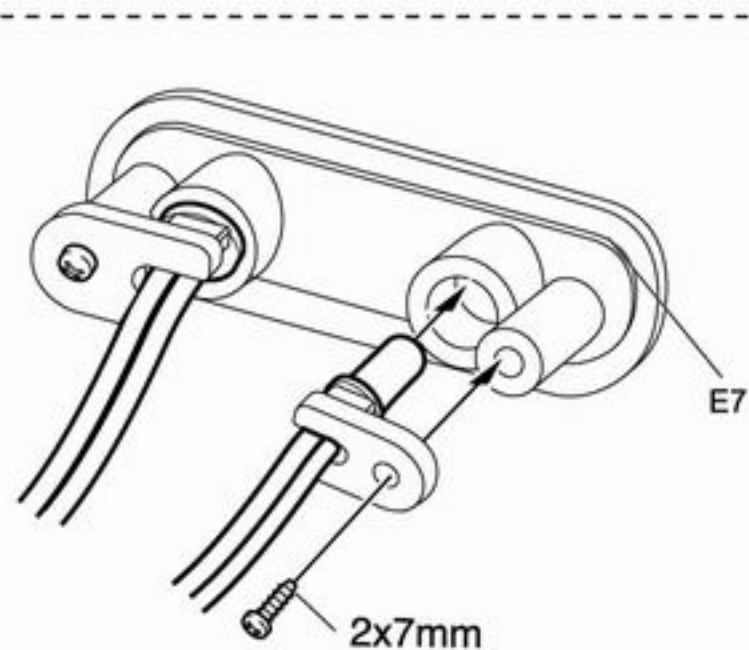
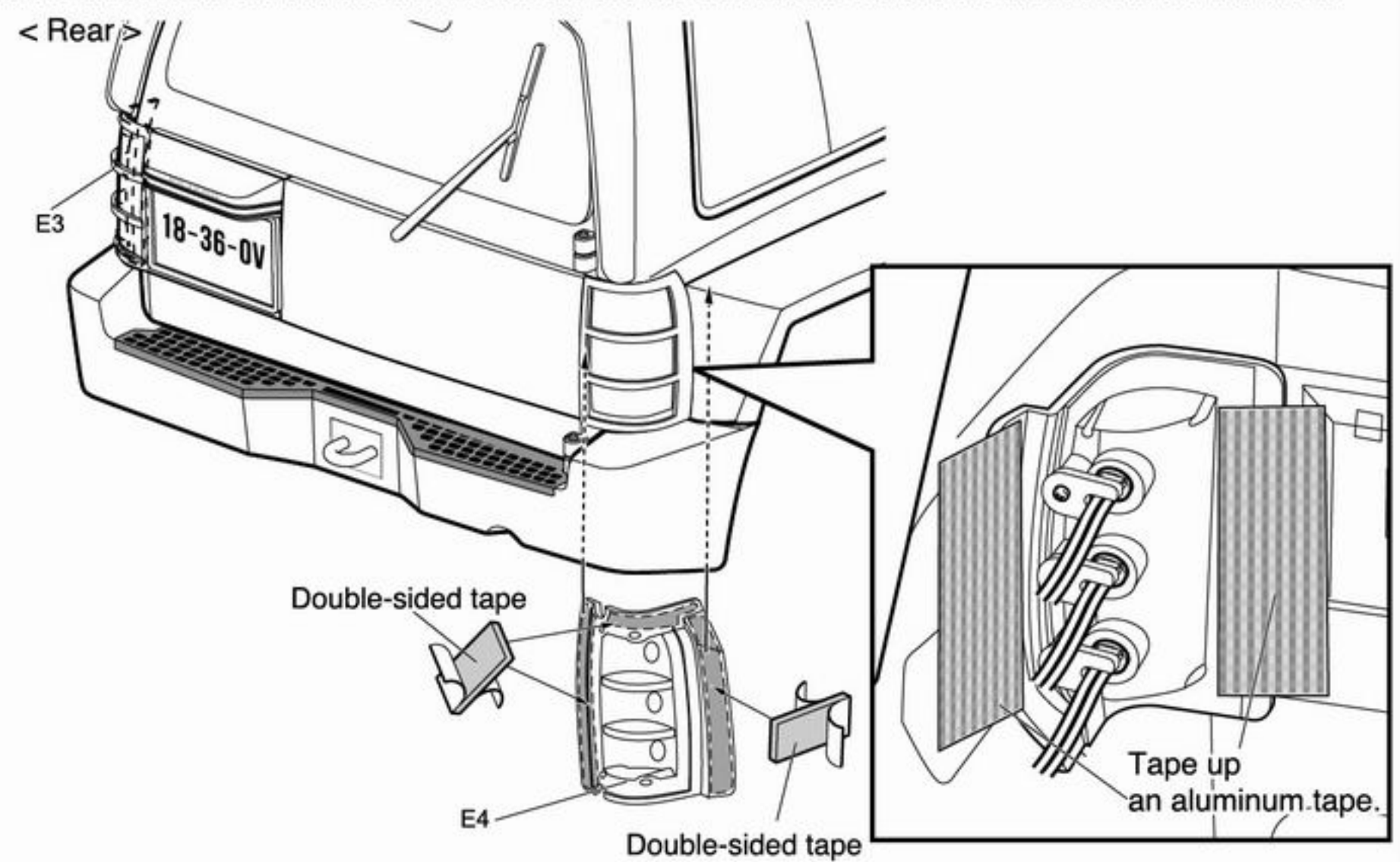
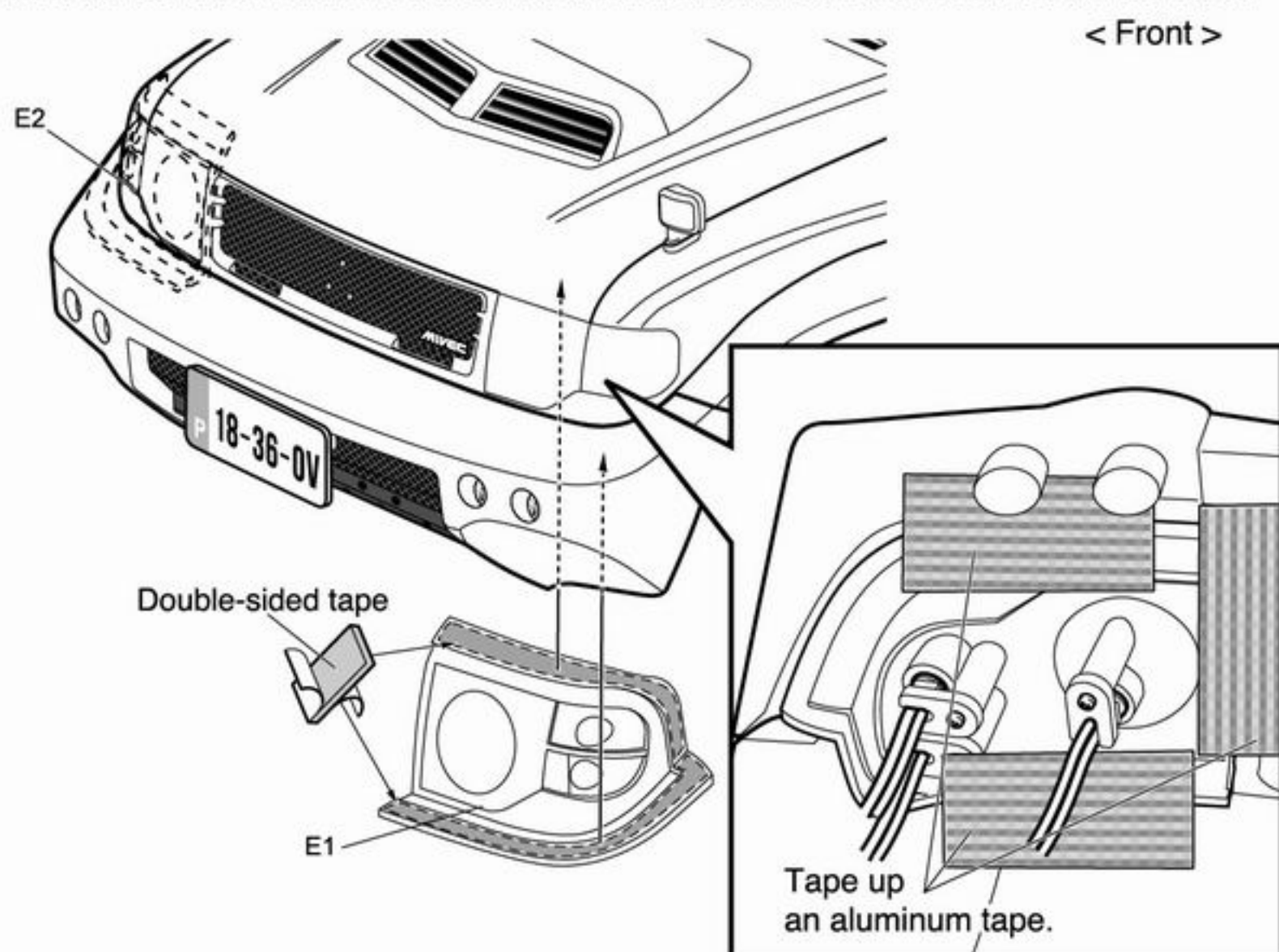
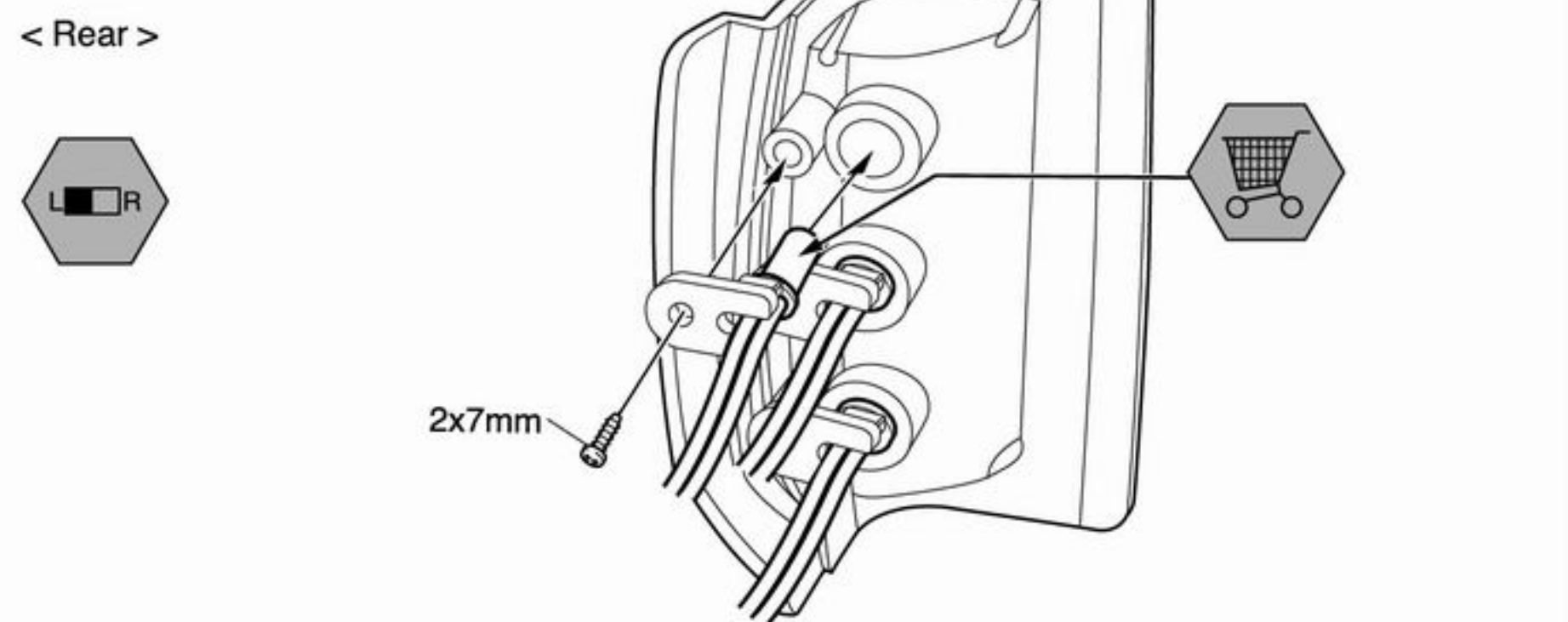
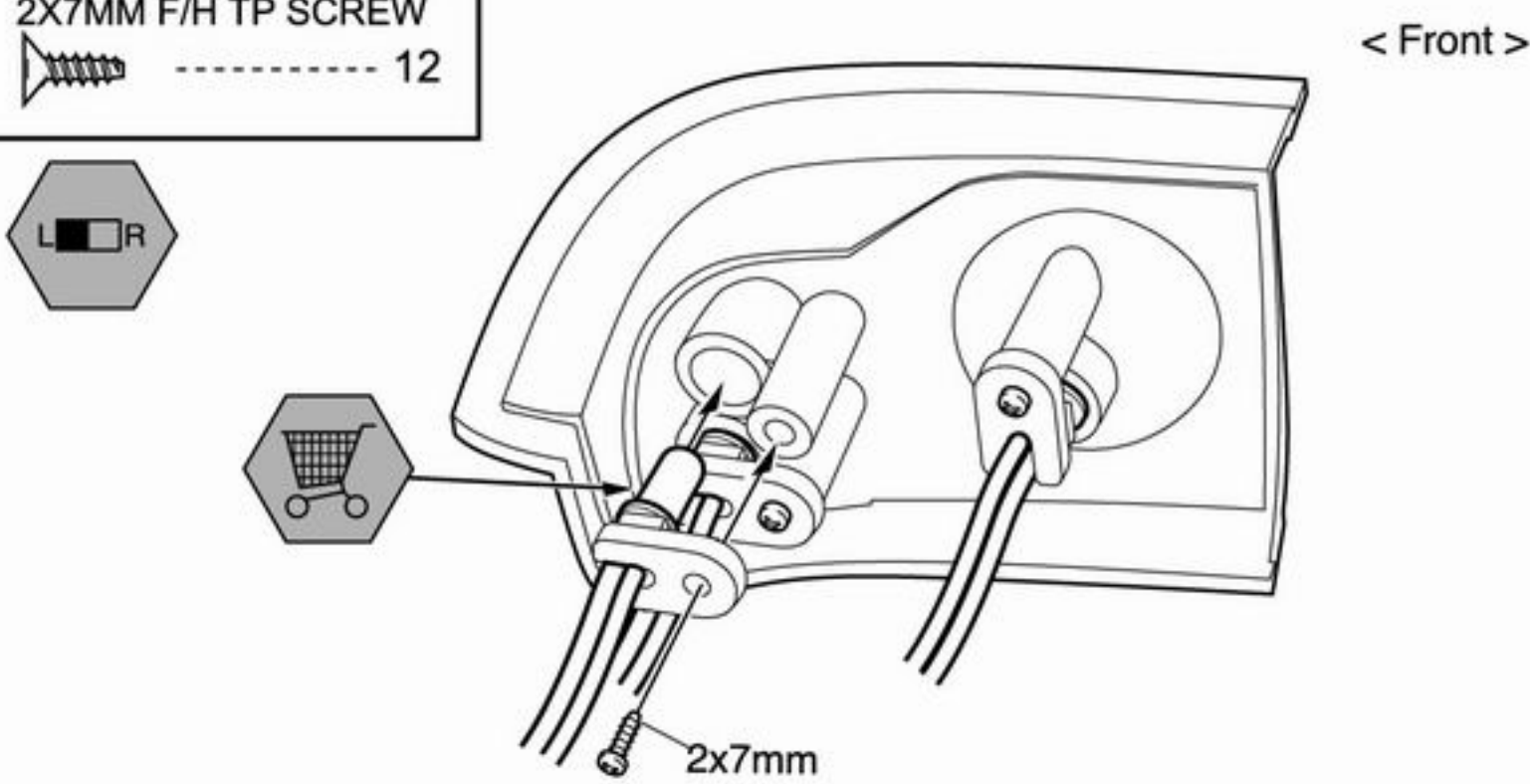
6 Plastic Parts

When loading LED lights

- LED STOPPER 12
- 2X7MM F/H TP SCREW 12



- ▶ Please tape the wiring, etc. on the body using the attached aluminum tape.
- ▶ Please put the attached aluminum tape on the top and bottom of the headlights and the taillights.



7 Body

Decoration Body

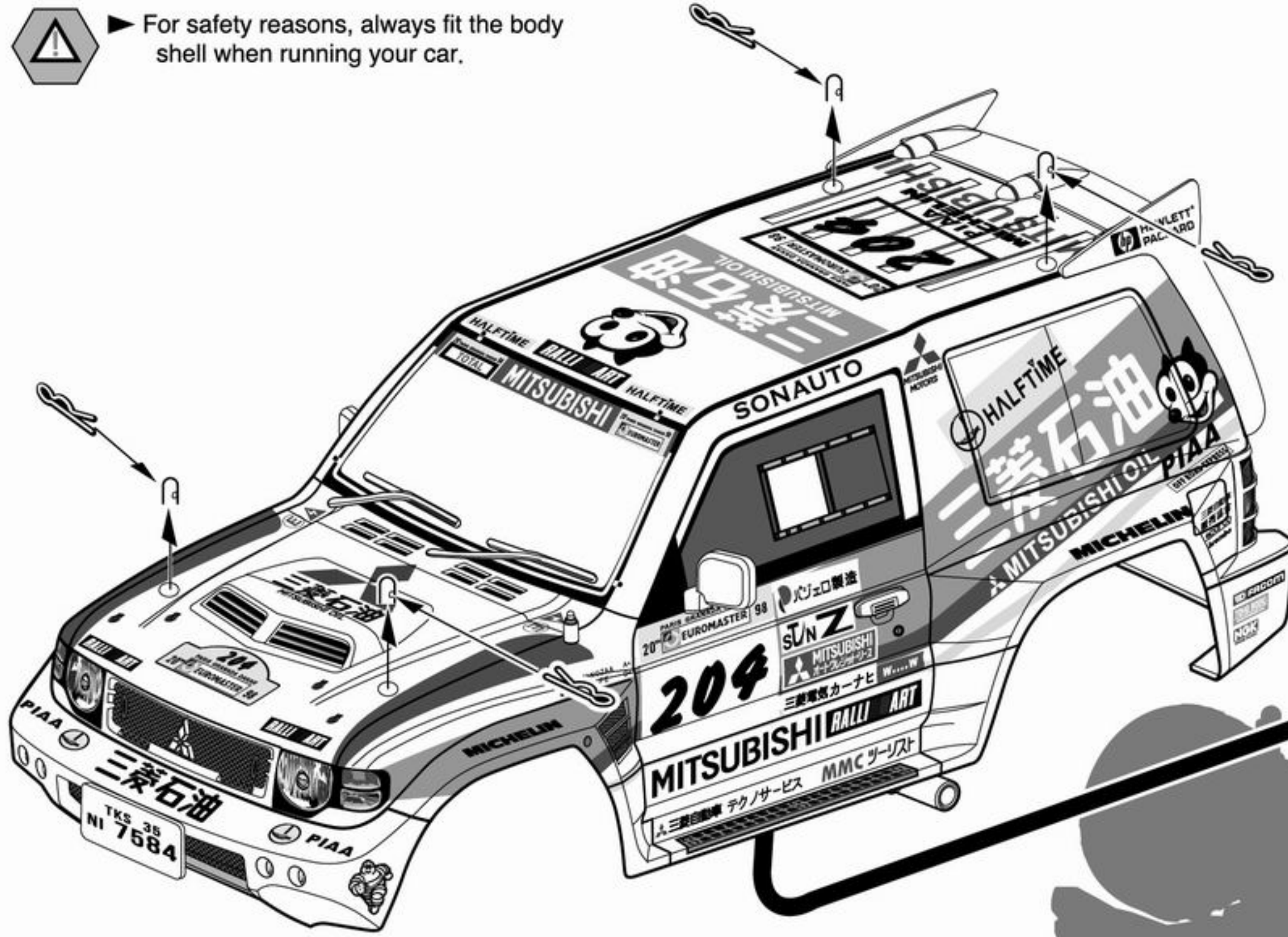
Non Decoration Body

When making the window transparent:

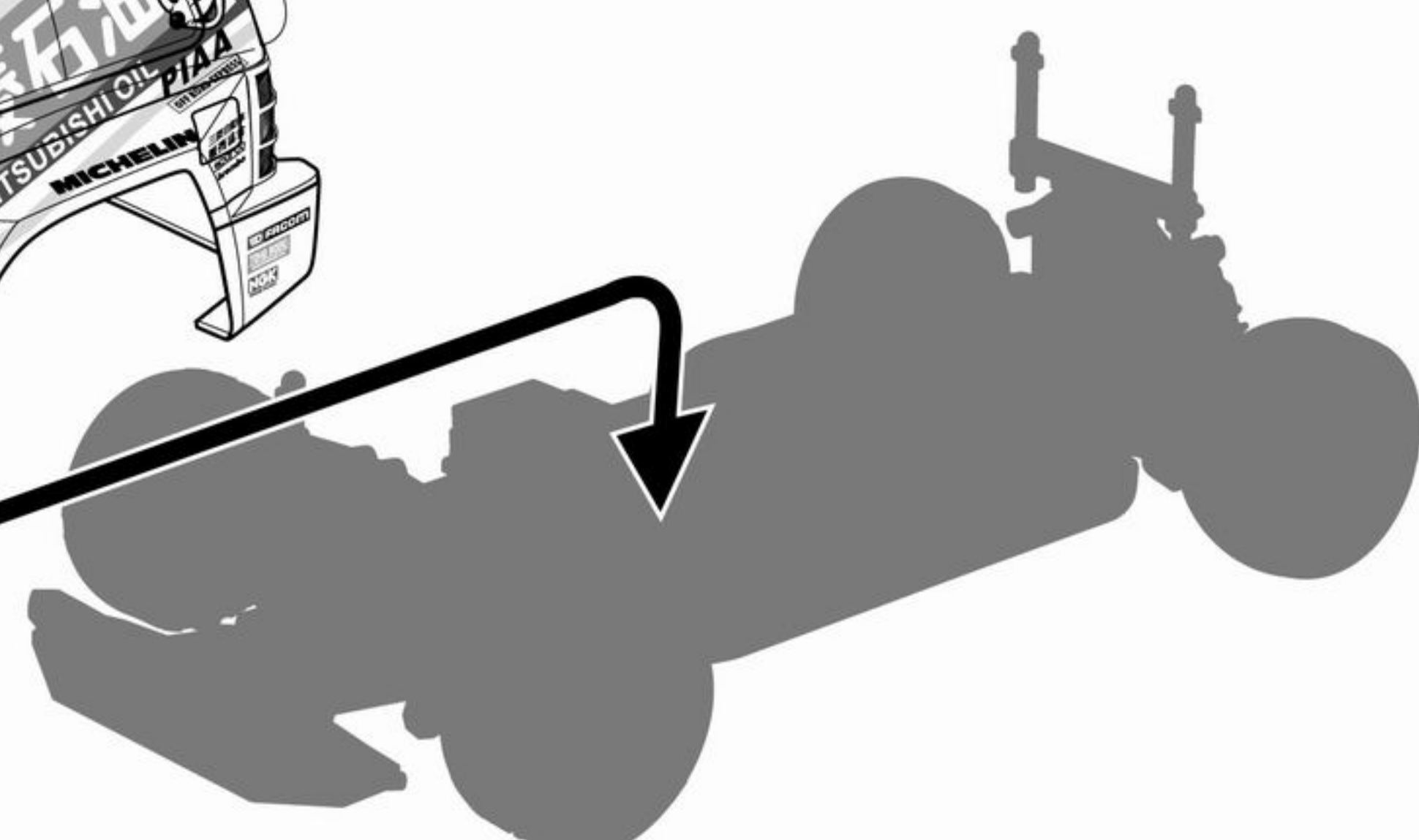
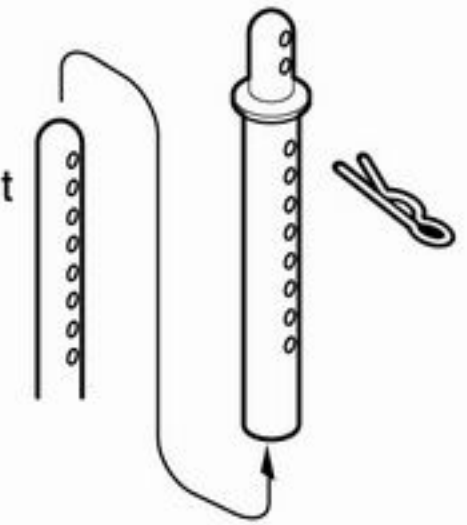
When loading LED lights



▶ For safety reasons, always fit the body shell when running your car.



▶ Use the extension body mount (sold separately) if the body mount height is not enough.



Option Parts & Accessory

No.	Part Names	No.	Part Names
48399	MITSUBISHI PAJERO EVO 1998 1/10 Truck Clear Body	48271	Stainless Steel Modified Air Intake Mesh
48400	MITSUBISHI PAJERO EVO "Mitsubishi Oil" 1998 Dakar Rally 1/10 Truck Finished Body Rally-racing (Printed) Light buckets assembled	48272	Stainless Steel Modified Air Intake Mesh
48401	MITSUBISHI PAJERO EVO 1998 1/10 Truck Finished Body Black (Printed) Light buckets assembled	48102	LED Light System w/Control Box (12 LEDs) 1/10 Scale
48402	MITSUBISHI PAJERO EVO 1998 1/10 Truck Finished Body Silver (Printed) Light buckets assembled	48350	Hooks & Rings Set (Diecast alloy) 1/10 Scale
48403	MITSUBISHI PAJERO EVO 1998 1/10 Truck Finished Body Red (Printed) Light buckets assembled	48361	Hooks & Rings Set (Diecast alloy) 1/10 Scale
48404	Decal Sheet 1/10 Truck (MITSUBISHI PAJERO EVO "Mitsubishi Oil" 1998 Dakar Rally)	48436	Plastic Tote Box 1/10 Scale
48405	Plastic Parts Set 1/10 Truck (MITSUBISHI PAJERO EVO 1998)	48514	Cloth Cable Ties 1/10 Scale
48549	Aluminum Alloy Heighten Body Mounts (rear) (1/10 MITSUBISHI PAJERO EVO 1998) Fit for Traxxas 1/10 Telluride 4X4 Truck	48515	Cloth Cable Ties 1/10 Scale
48550	Aluminum Alloy Heighten Body Mounts (rear) (1/10 MITSUBISHI PAJERO EVO 1998) Fit for Tamiya 1/10 HILUX HIGH-LIFT 4X4 Truck	48523	Metal Euphroe 1/10 Scale
48426	Nylon Luggage Rack & Chimney 1/10 Truck	48544	Metal Euphroe 1/10 Scale
48427	Bottom Plate of Luggage Rack (Stainless Steel) 1/10 Truck	48522	Toolbox w/Tool Set 1/10 Scale
48256	Moveable Outdoor Tooling Set 1/10 Truck	48507	Smoky Exhaust Pipe W/LED Unit Set 1/10 Scale
48238	Roof Luggage Rack (Double Layer) 1/10 Truck	48191	Touring Car Engine 1/10 Scale
48348	Bottom Plate of Luggage Rack (Stainless Steel) 1/10 Truck	48492	Touring Car Engine Finished Type 1/10 Scale
48347	Accent Light W/SMD LED Unit Set (18 LEDs) 1/10 Truck	48192	Touring Car Engine 1/10 Scale
48509	Accent Light W/LED Unit Set 1/10 Truck	48493	Touring Car Engine Finished Type 1/10 Scale
48510	Accent Light W/LED Unit Set 1/10 Truck	48193	Touring Car Engine 1/10 Scale
48511	Roof Accent Light W/LED Unit Set 1/10 Truck	48494	Touring Car Engine Finished Type 1/10 Scale
48512	Roof Accent Light W/LED Unit Set 1/10 Truck	48194	Touring Car Engine 1/10 Scale
48345	Decorative Ladder 1/10 Truck	48495	Touring Car Engine Finished Type 1/10 Scale
48349	Decorative Strander 1/10 Truck	48195	Touring Car Engine 1/10 Scale
48440	Chromed Plastic Tote Box Finished Type 1/10 Truck	48496	Touring Car Engine Finished Type 1/10 Scale
48452	Installation Parts for Spare Tire 1/10 Truck	48196	Touring Car Engine 1/10 Scale
48429	Black Plastic Jerry Can Set 1/10 Truck	48497	Touring Car Engine Finished Type 1/10 Scale
48426	Nylon Luggage Rack & Chimney 1/10 Truck	48197	Touring Car Engine 1/10 Scale
48427	Nylon Luggage Rack & Chimney 1/10 Truck	48498	Touring Car Engine Finished Type 1/10 Scale
48430	Plastic Oxygen Bottle Set 1/10 Truck	48246	Modified Vertical Engine 1/10 Scale
48431	Luggage Net 1/10 Truck	48504	Modified Vertical Engine Finished Type 1/10 Scale
48432	Luggage Net 1/10 Truck	48247	Modified Transverse Engine 1/10 Scale
48231	Moveable Fuel Door 1/10 Touring Car	48505	Modified Transverse Engine Finished Type 1/10 Scale
48270	Stainless Steel Modified Air Intake Mesh		