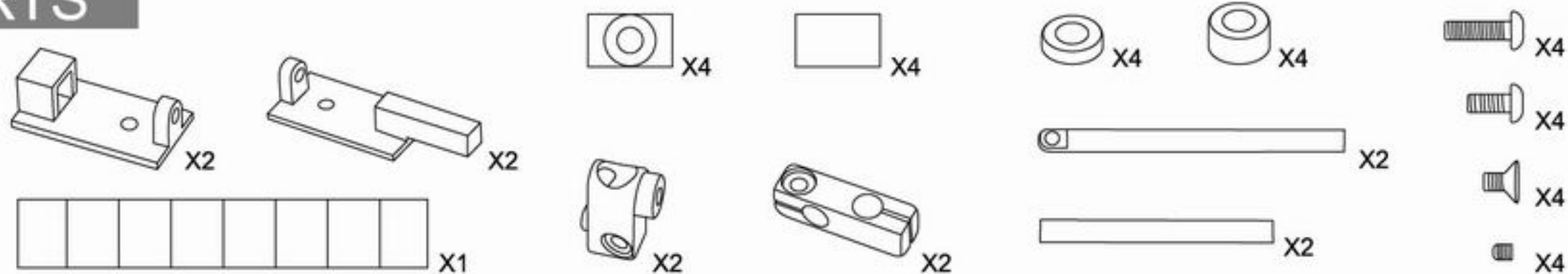


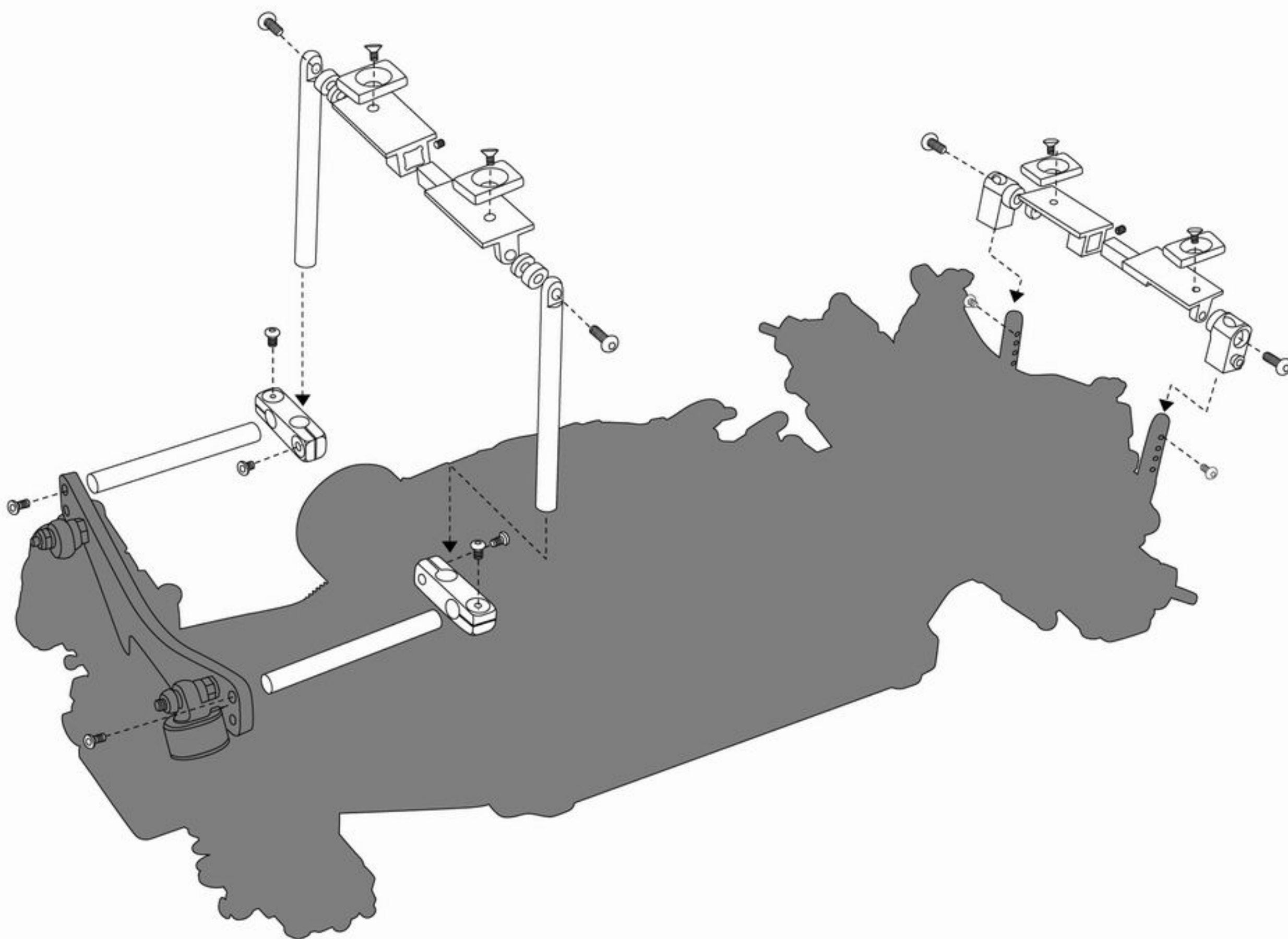
### PARTS



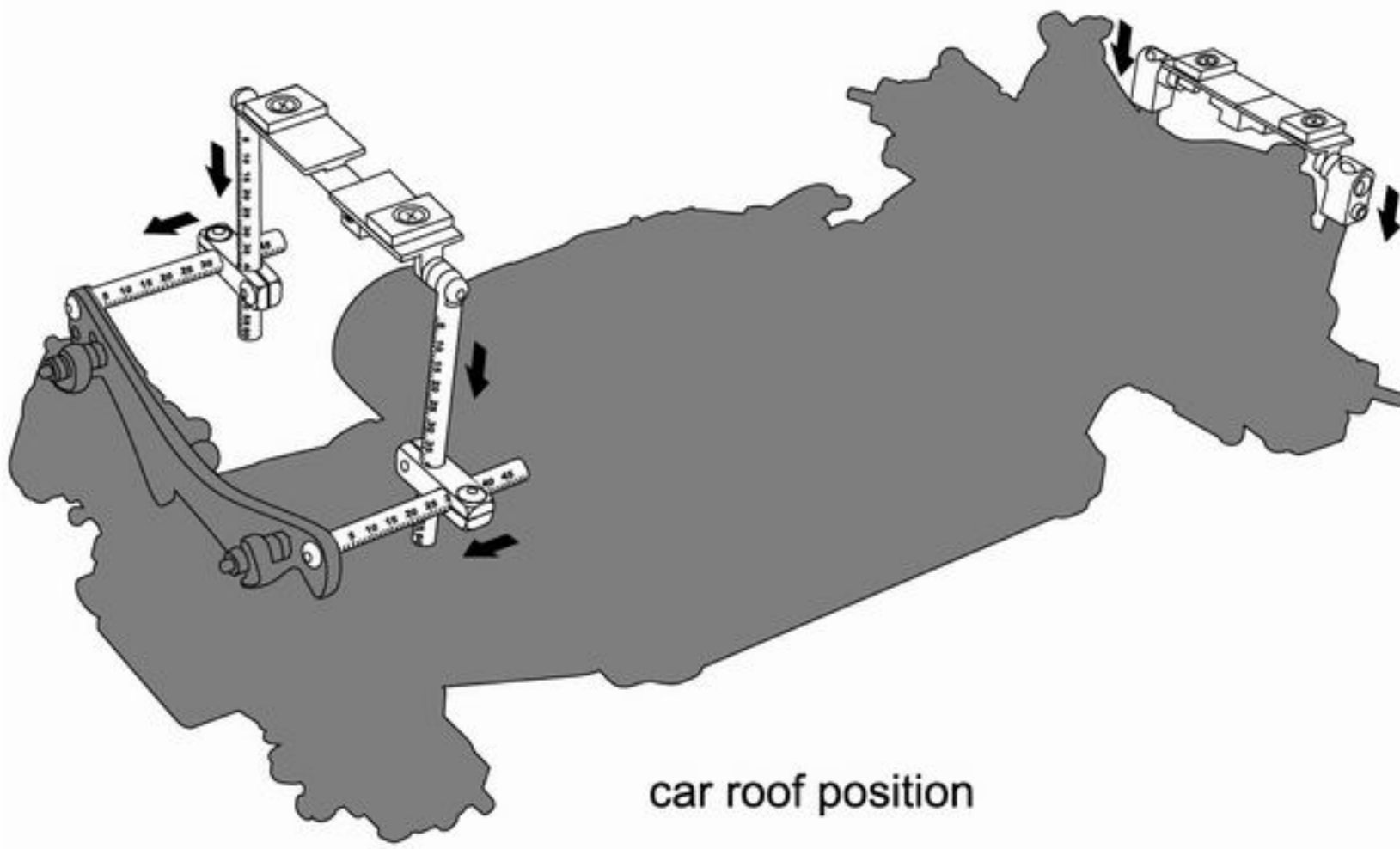
### 1 Assembling



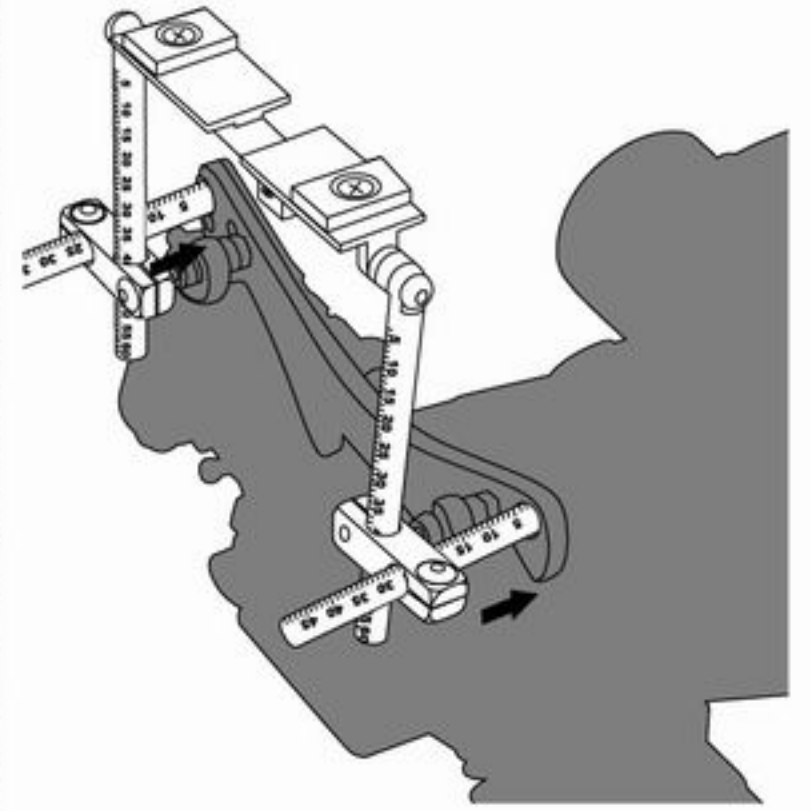
Here just take one body shell as an example,  
all the installation methods are same.



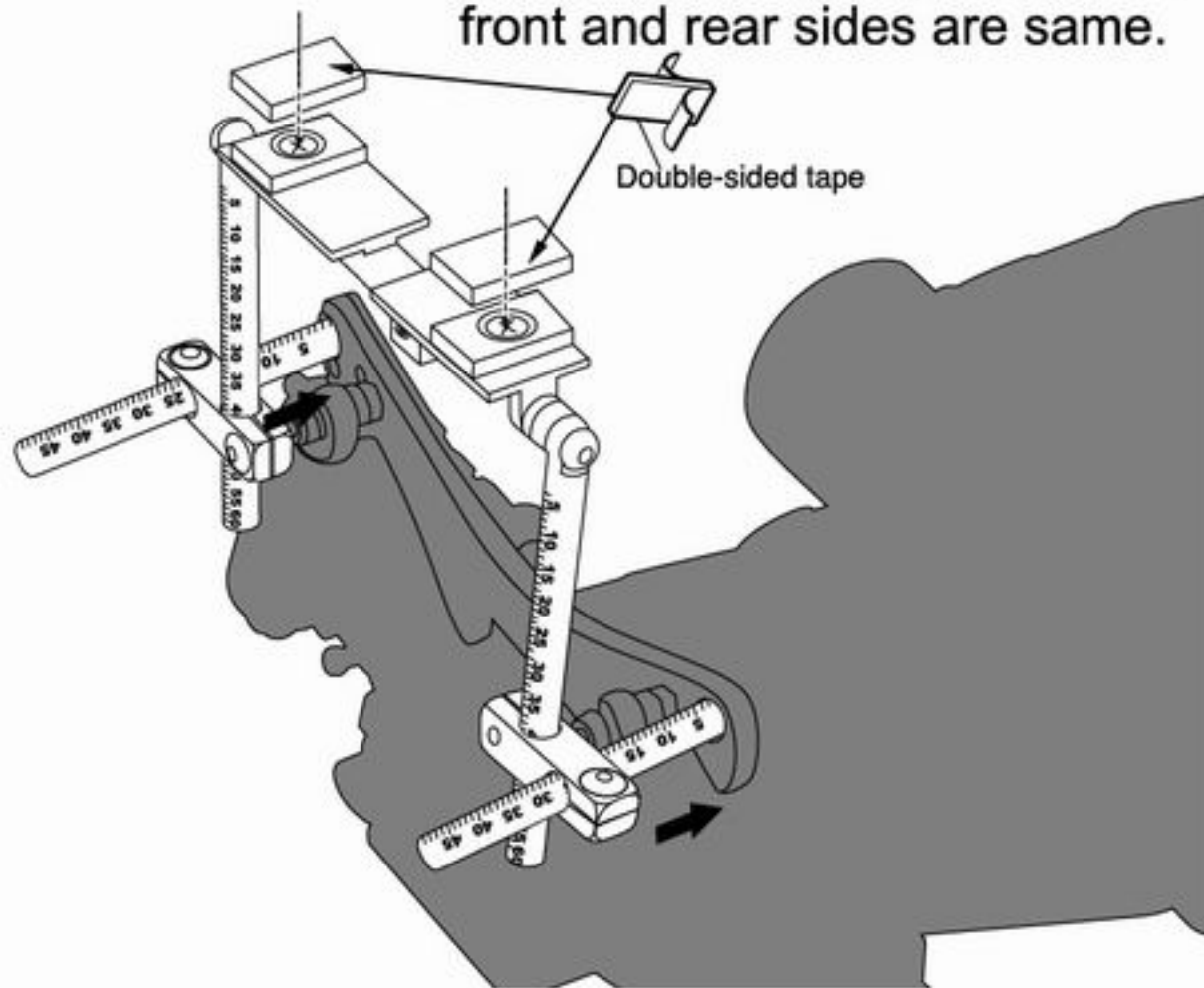
Assembly the body mounts to the car roof or car trunk position.



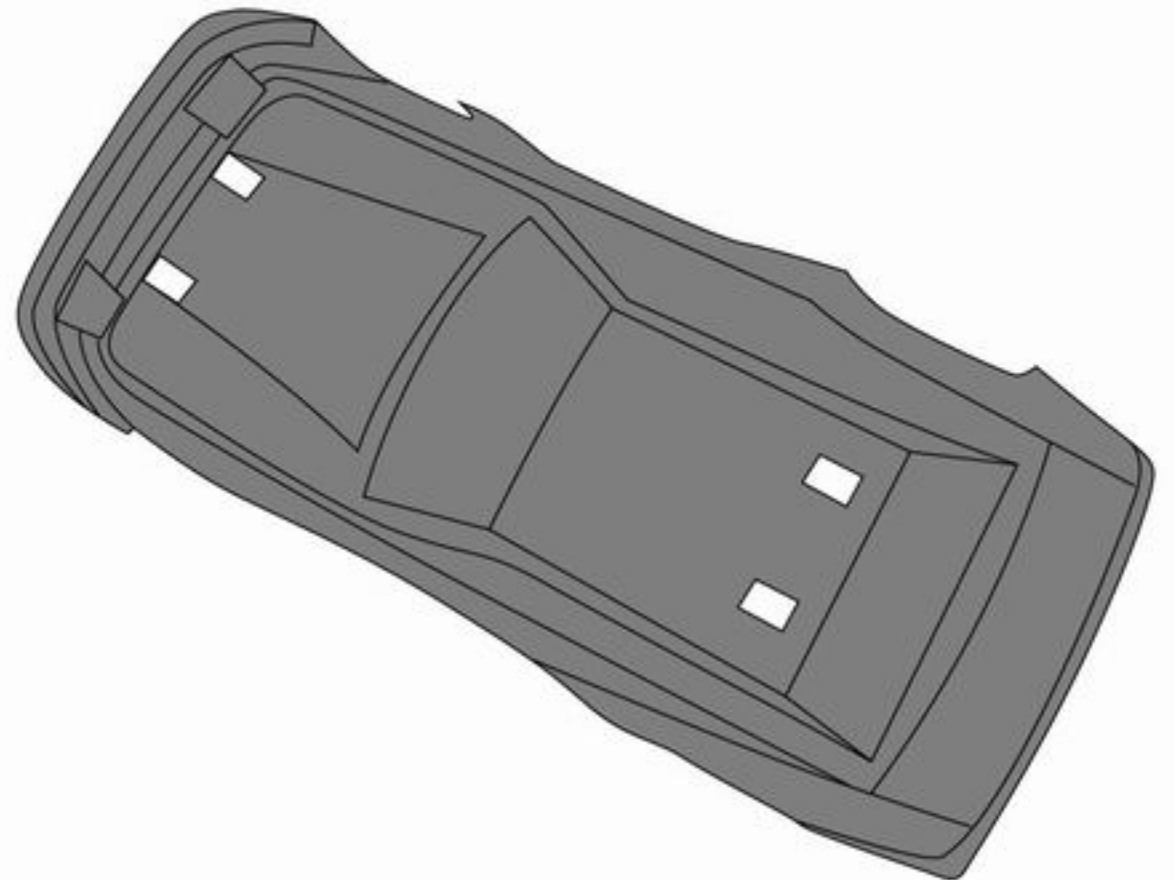
car trunk position



Magnet installation methods for front and rear sides are same.



Install the body shell accurately, the double-sided tape on the magnet will fixing with the body stably.



**2** Finished

