

Toyota 86
BODY SHELL
Official Licensed Product
NO.48566

killerbody™
1/10 RC PLANNING INSTRUCTION SHEET

This body can be used with 1/10 electric touring car chassis (Long Wheelbase: 257mm With: 195mm)

Before beginning assembly, please read these instructions thoroughly!

● Symbols used throughout the instruction manual, comprise:



Cut off shaded portion.



5mm
Drill holes with
the specified diameter.



Pay close attention here!



Must be purchased
separately.



Assemble left and right sides
the same way.



● Before Assembly

Decoration Body

- ▶ In the case of a decoration body, please assemble it according to the contents showed.

When making the window transparent:

- ▶ If you want to make the window transparent with a non decoration body, please assemble it according to the contents showed.

Non Decoration Body

- ▶ In the case of non decoration body, please assemble it according to the contents showed.

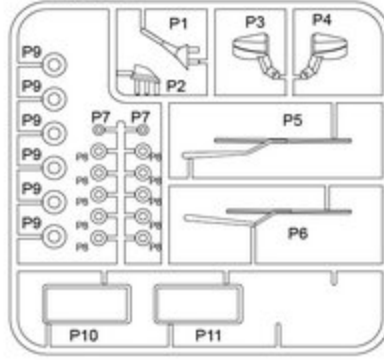
When loading LED lights

- ▶ If you want to load LED lights with a non decoration body, please assemble it according to the contents showed.

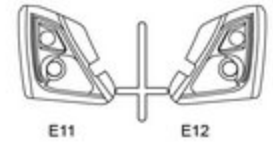
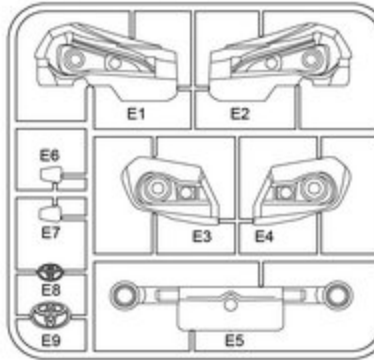
PARTS

BODY	-----	X1
PLASTIC PARTS	-----	X1
PC PARTS	-----	X1
ELECTROPLATED PARTS	-----	X1
DECAL SHEET	-----	X1
WINDOW MASKS	-----	X1
SILVER MIRROR DECAL	-----	X1
PARTS BAG		
 LED STOPPER	-----	X13
 CLIP	-----	X2
 O-RING	-----	X2
 TAPPING SCREW	-----	X16
DOUBLE-SIDED TAPE	-----	X1
ALUMINUM TAPE	-----	X1

PLASTIC PARTS



ELECTROPLATED PARTS



SILVER MIRROR DECAL

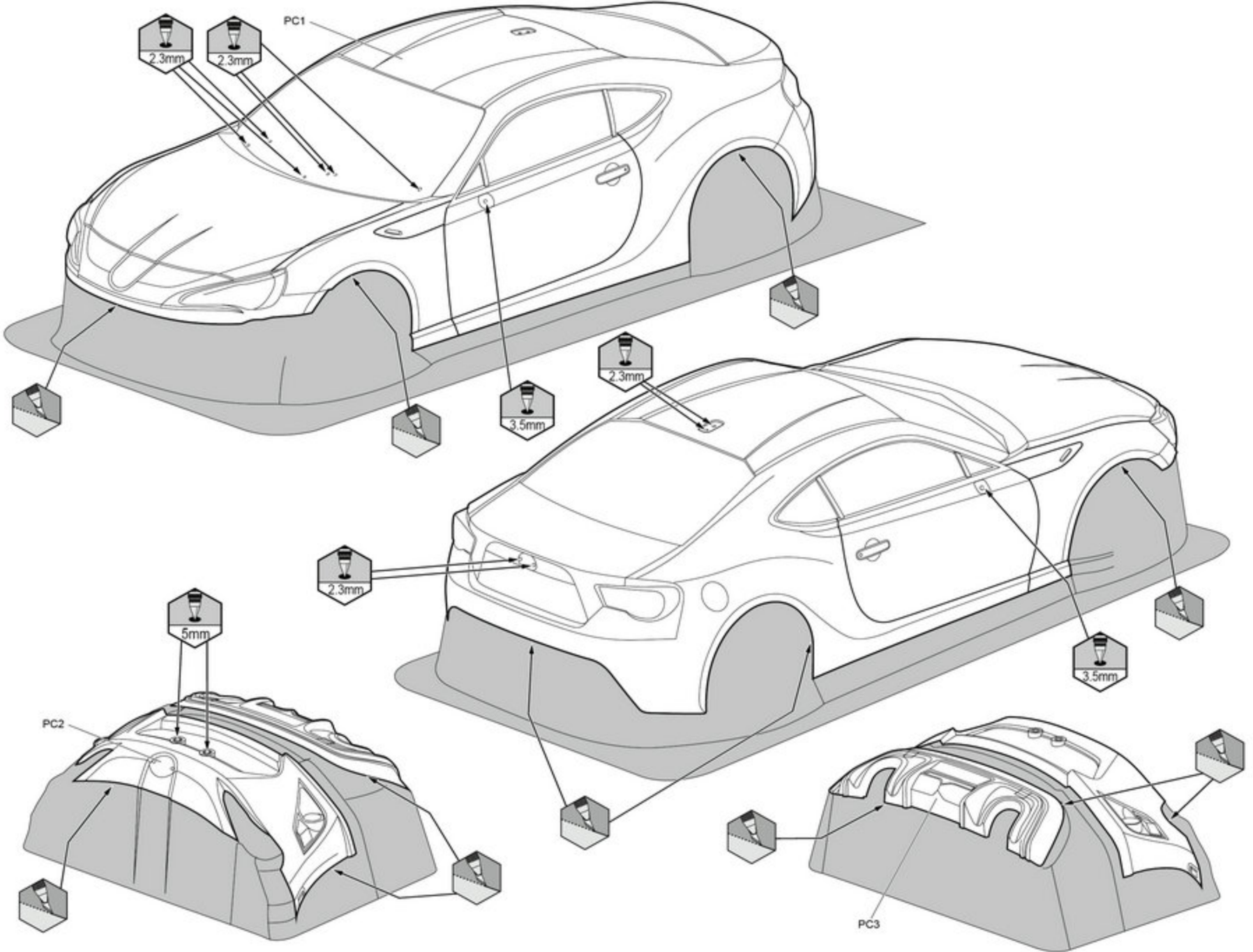


1 Body Shell

When making the window transparent:

Non Decoration Body

When loading LED lights:



2 Painting

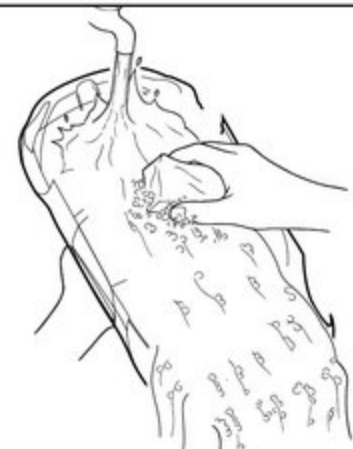
Non Decoration Body

When loading LED lights

PC1 PC2 PC3

- Before painting, use a neutral detergent to remove any oil residues and dirt.

When making the window transparent:

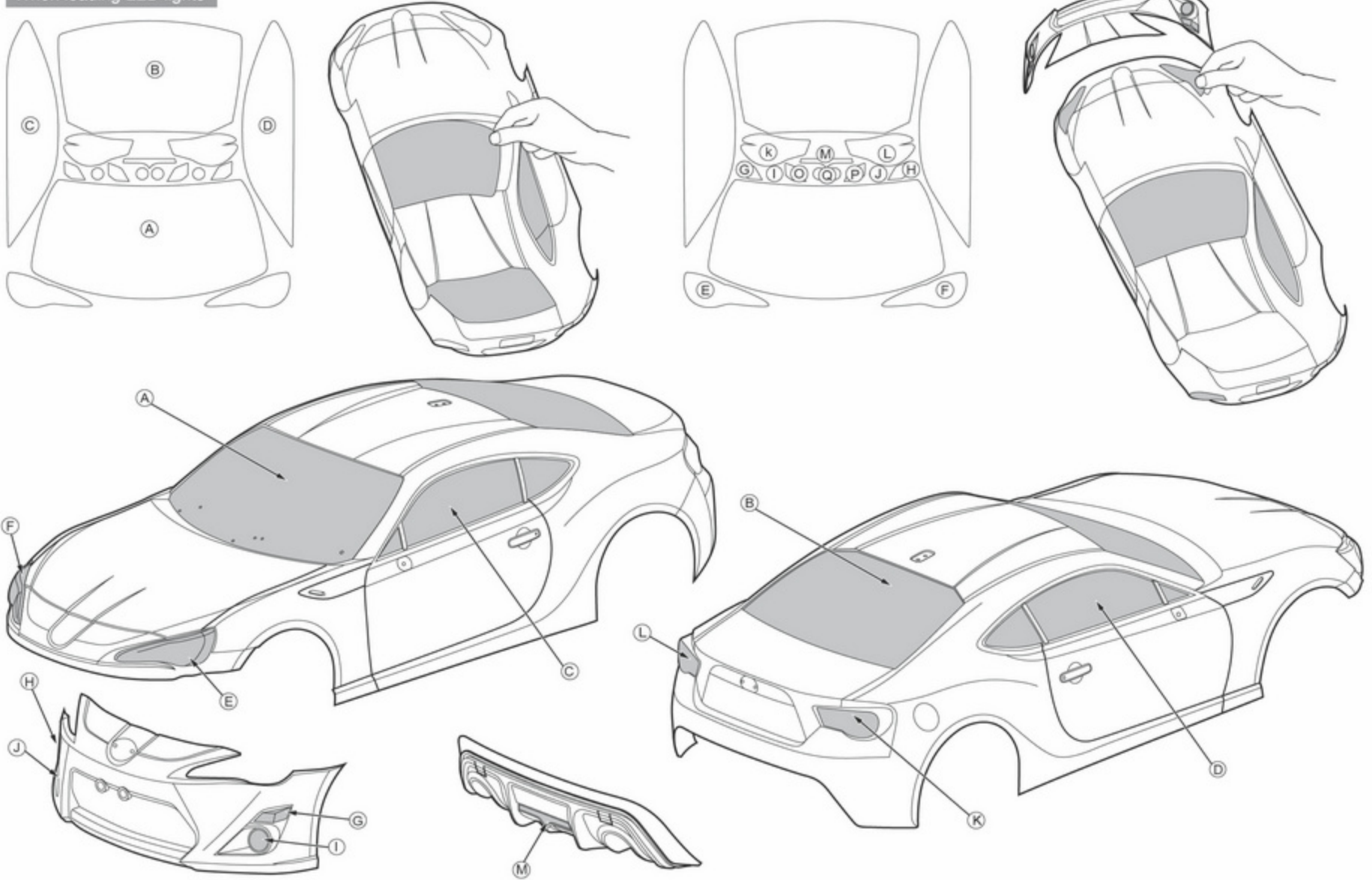


When making the window transparent:

2 Mask the windows from the inside.

2 Mask the lights from the inside.

When loading LED lights

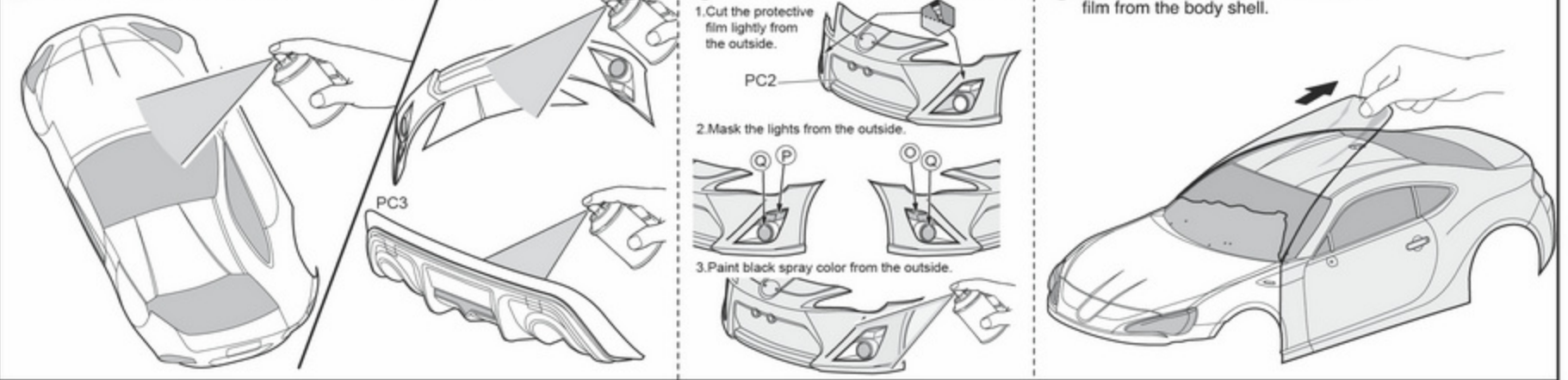


3 Paint PC1, PC2, PC3 from the inside.

PC1 PC2

4 Paint small part of PC2 from the outside.

5 After painting, remove the protective film from the body shell.



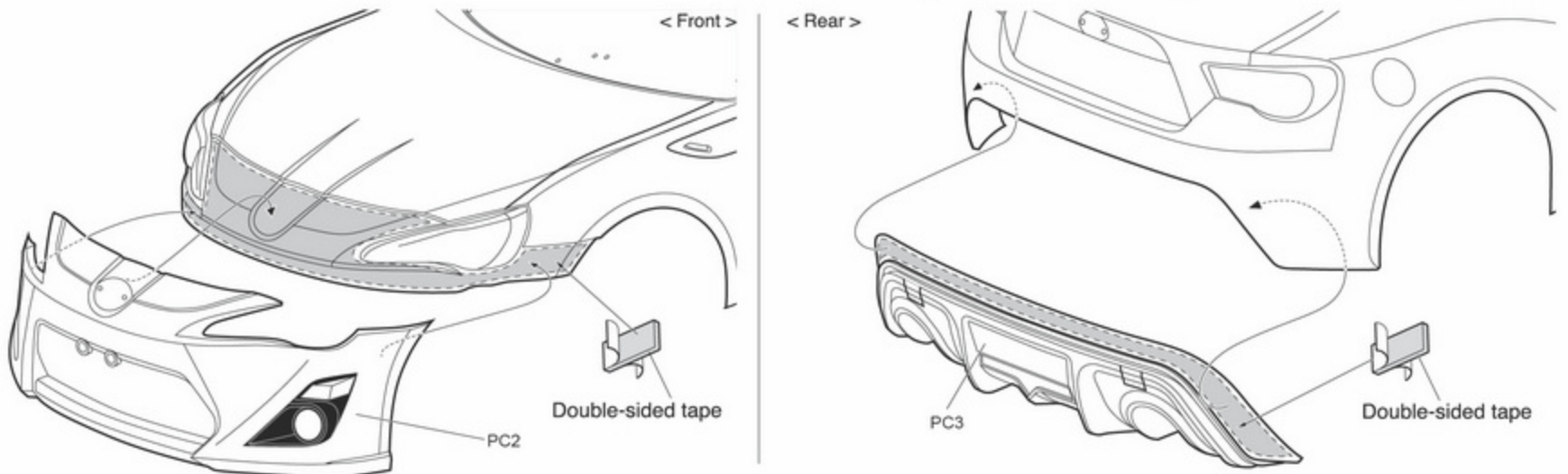
3 PC Parts

Decoration Body

Non Decoration Body

When making the window transparent:

When loading LED lights



4 Decal

Non Decoration Body

When making the window transparent:

When loading LED lights

<Decal>

When making the window transparent



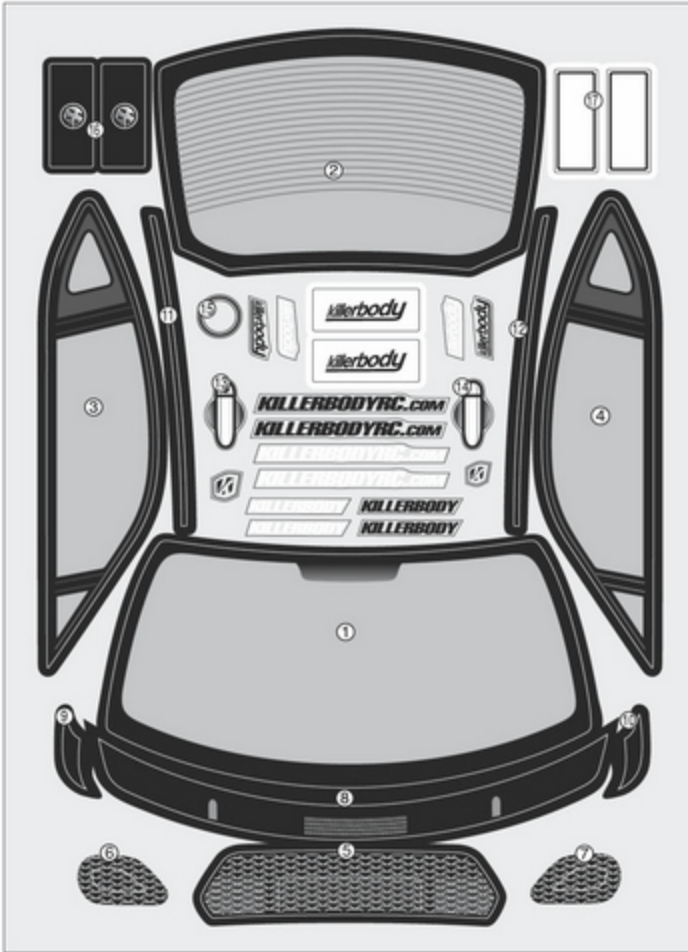
▶ ① ② ③ ④

Cut the translucent (smoked color) part.

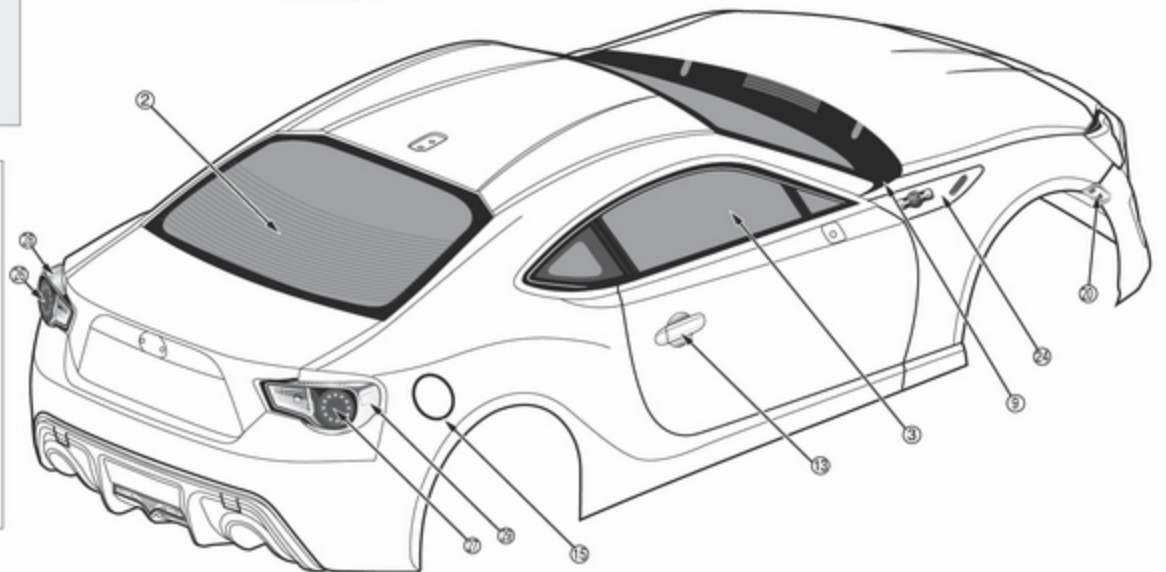
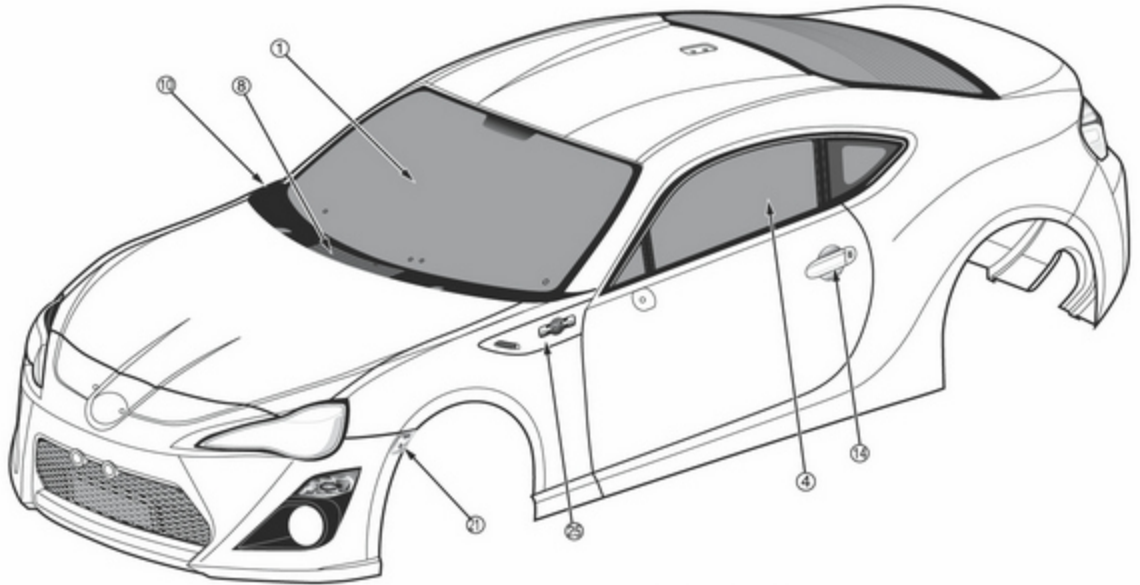
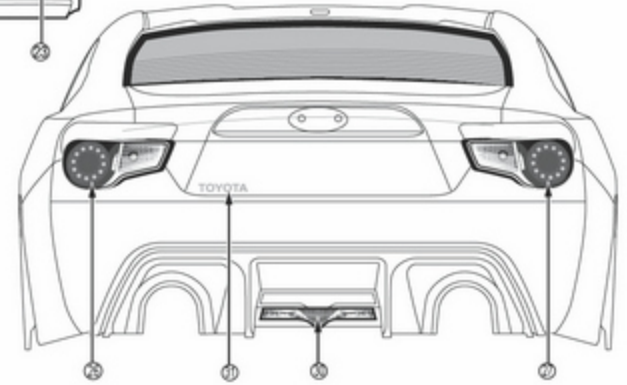
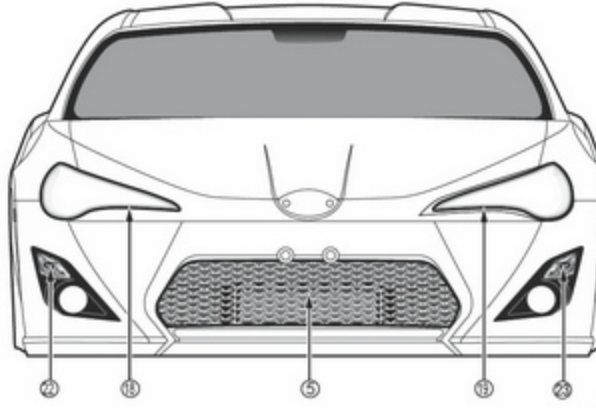


▶ Change the decal according to the following contents.

⑤ → ⑩



▶ The decal numbers between brackets are only for the opposite side.



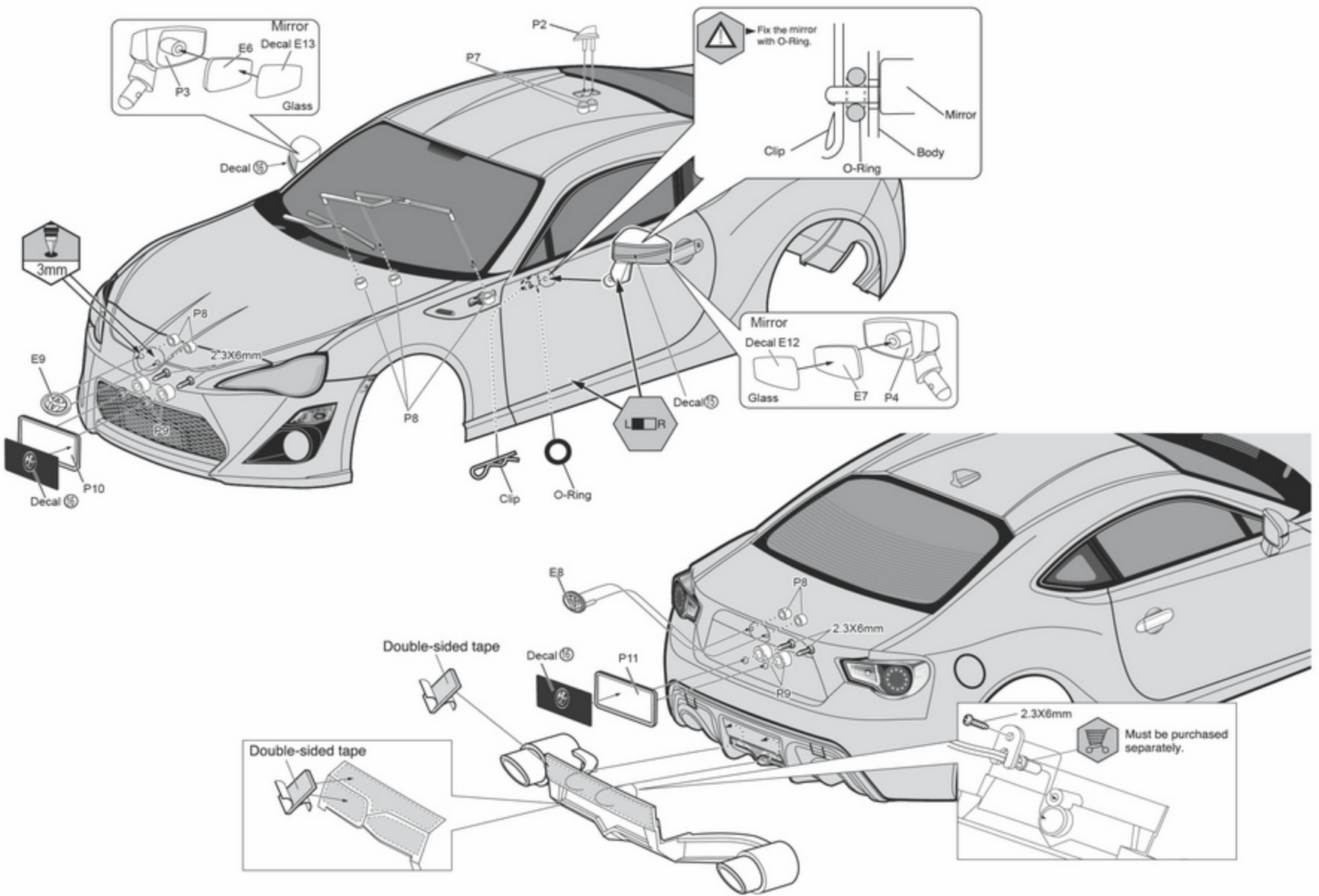
5 Plastic Parts

Non Decoration Body

When making the window transparent:

When loading LED lights

Clip	2	2.3X6MM F/H TP Screw	4
O-Ring	2		4

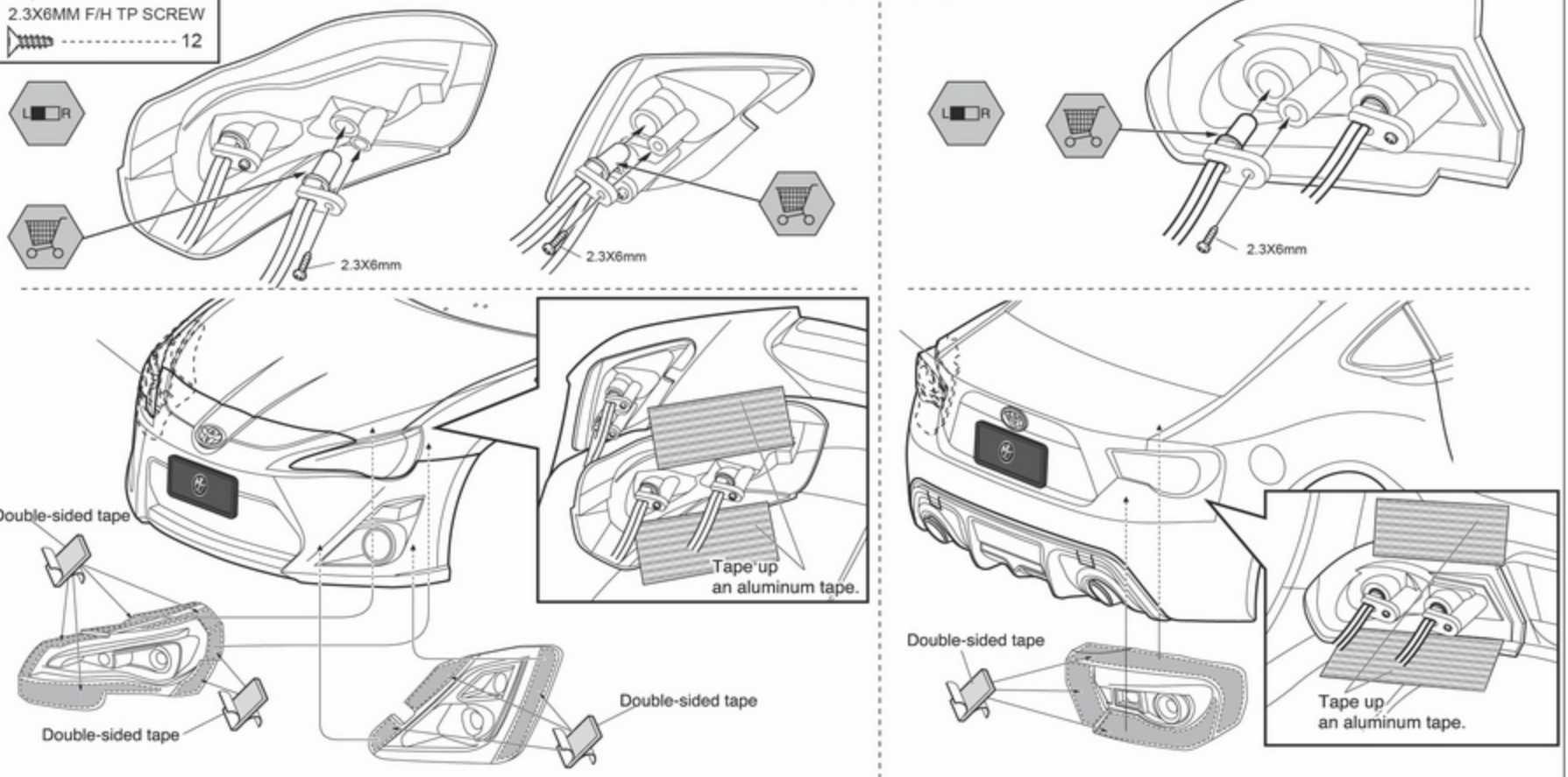


6 Plastic Parts

When loading LED lights

- Please tape the wiring, etc. on the body using the attached aluminum tape.
- Please put the attached aluminum tape on the top and bottom of the headlight and the taillights.

LED STOPPER 12
2.3X6MM F/H TP SCREW 12




7 Body

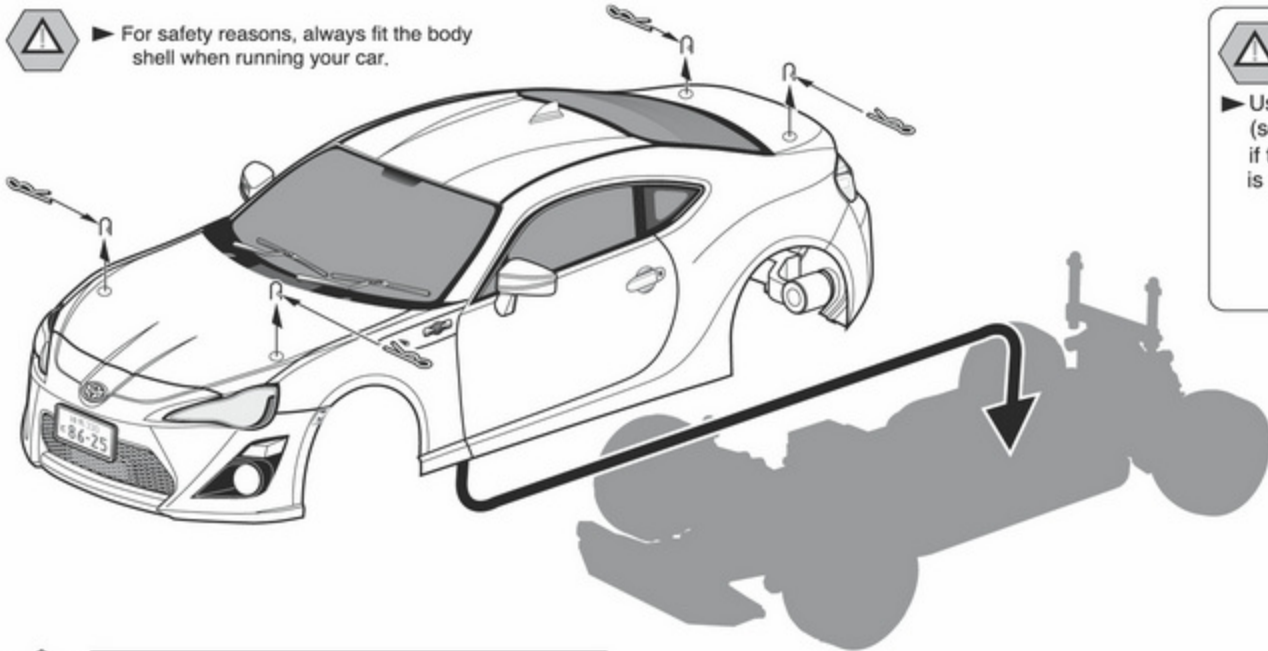
Decoration Body


When making the window transparent:

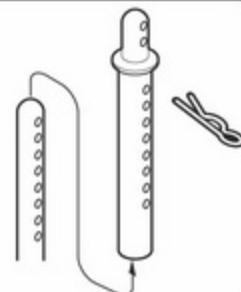
Non Decoration Body

When loading LED lights

 For safety reasons, always fit the body shell when running your car.



 Use the extension body mount (sold separately) if the body mount height is not enough.

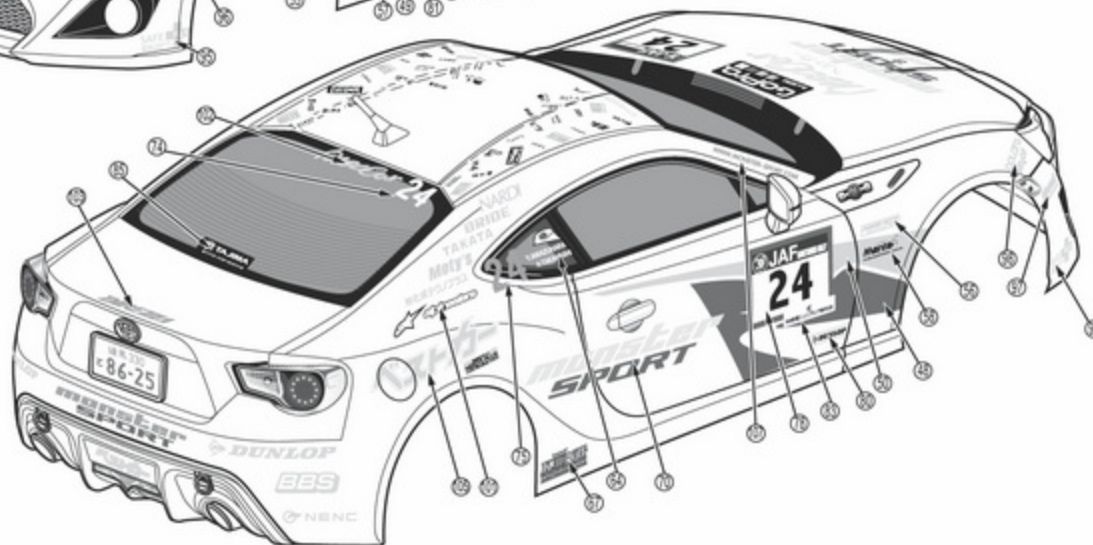
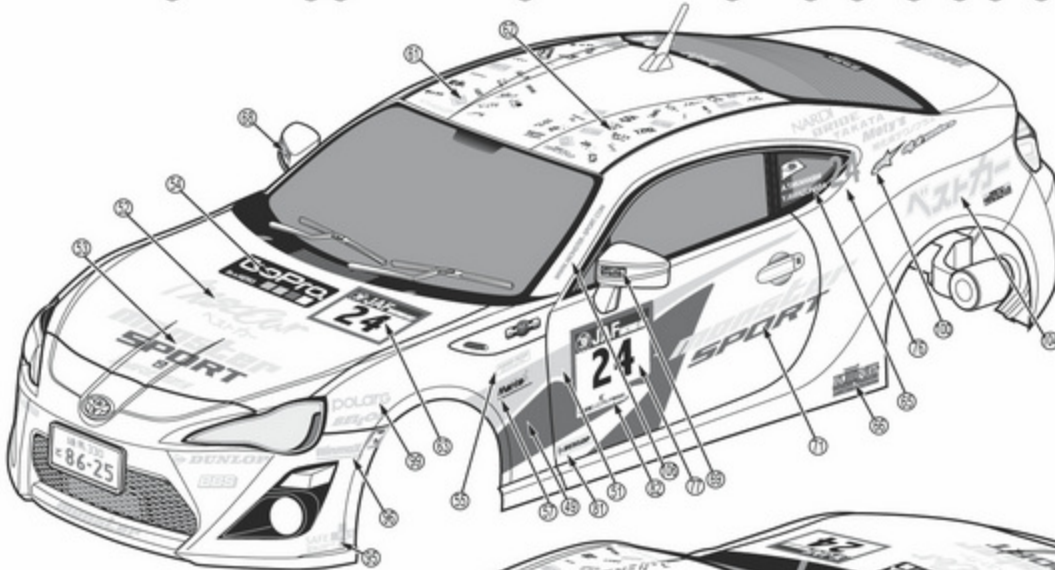
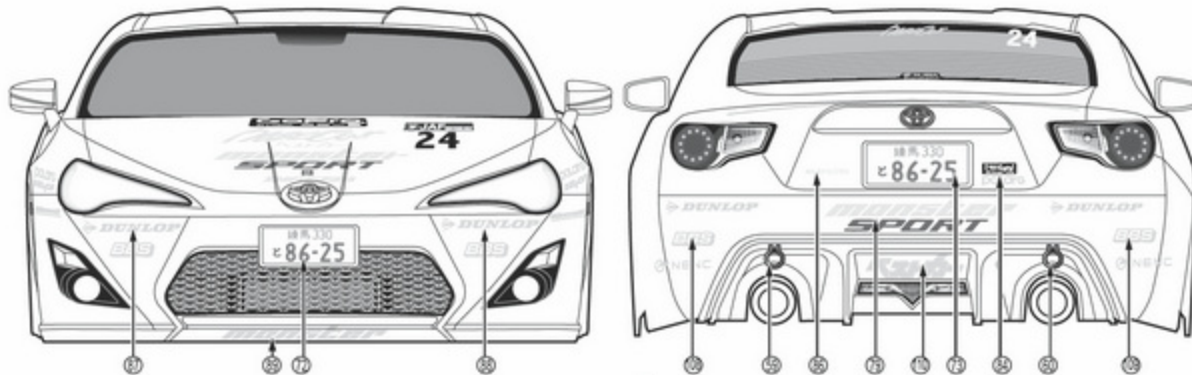


Racing Version Assembly

Decal

► The decal numbers between brackets are only for the opposite side.

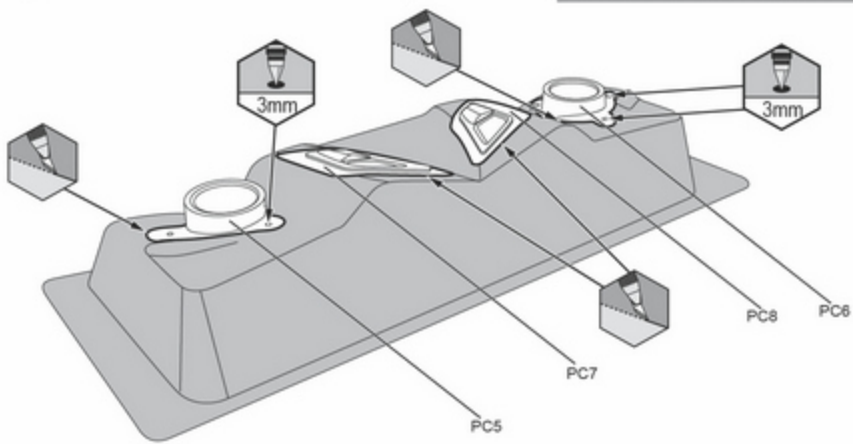
 Decal for racing
Must be purchased separately.



Accent Light Set NO.48581

PARTS		PARTS BAG		E13		E14		E15		E16	
PLASTIC PARTS	X4	TAPPING SCREW 2.3X6MM	X2								
PC PARTS	X1	TAPPING SCREW 1.2X5MM	X6								
DECAL SHELL	X1		X6								
WINDOW MASKS	X1	DOUBLE-SIDE TAPE	X1								

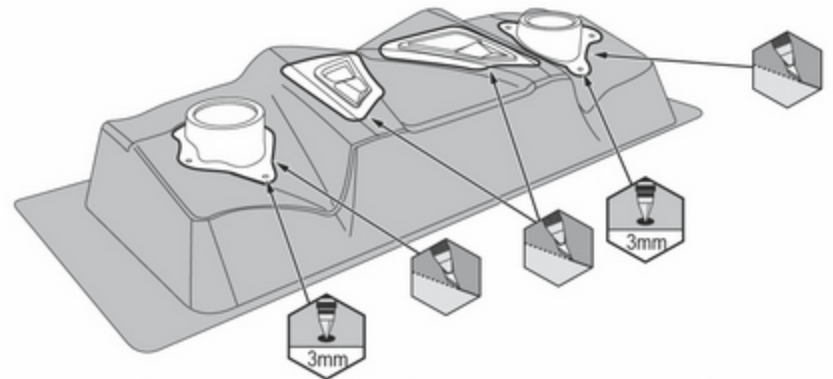
1 Cutting



When making the window transparent:

Non Decoration Body

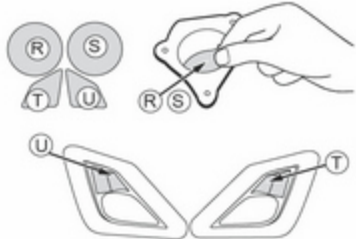
When loading LED lights



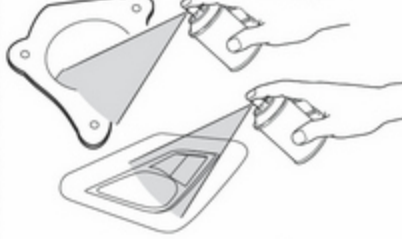
2 Painting

PC5-PC8
 1 Before painting, use a neutral detergent to remove any oil residues and dirt.

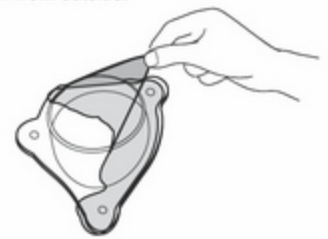
2 Mask the lights from the inside.



3 Paint spray color from inside.

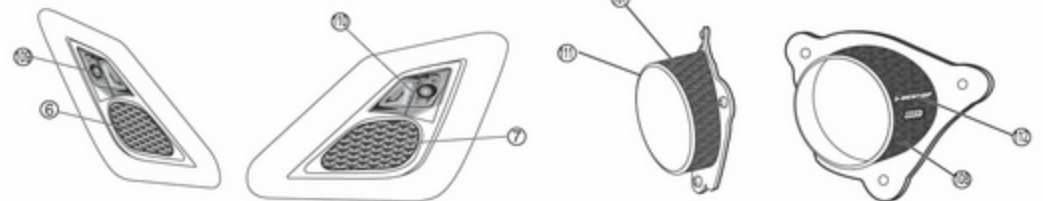
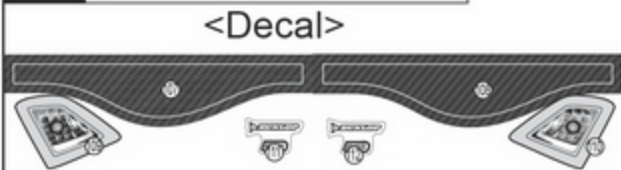


4 After painting, remove the protective film from outside.

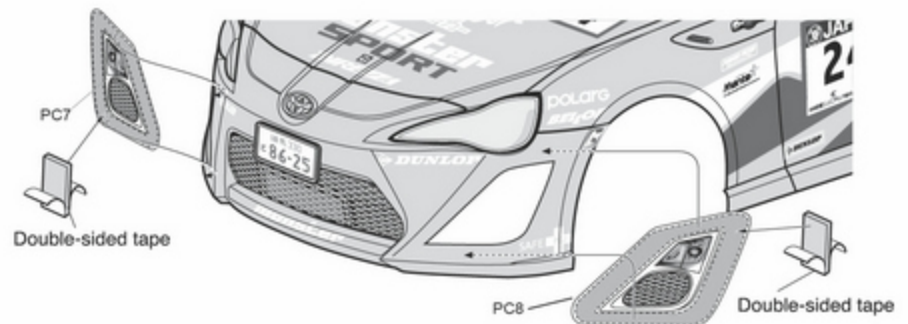
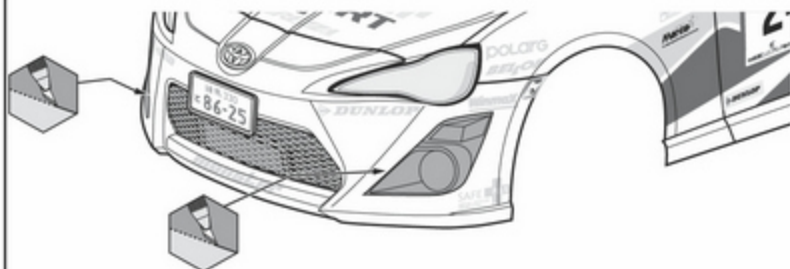


3 Decal

► The decal numbers between brackets are only for the opposite side.

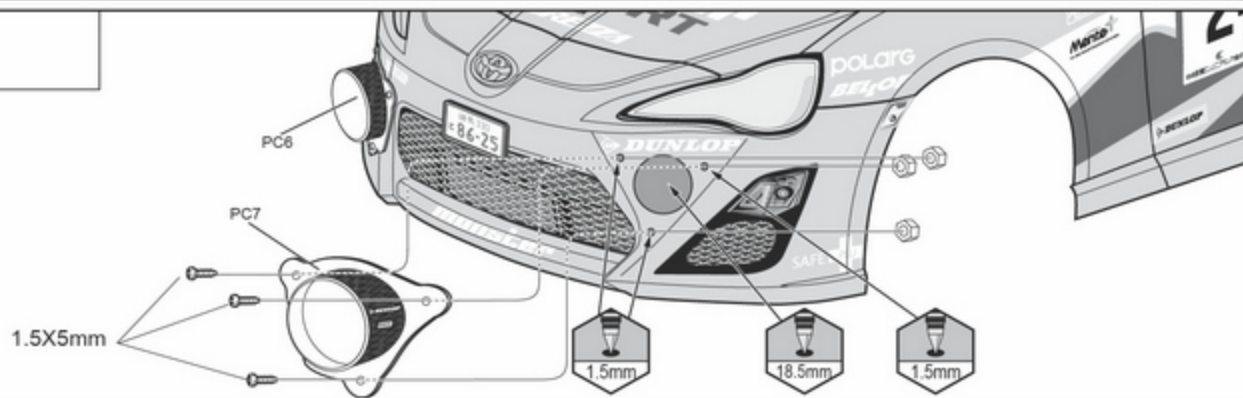


4 Plastic Parts



5 Plastic Parts

1.2X5mm F/H TP Screw 6
 1.5X5mm 6



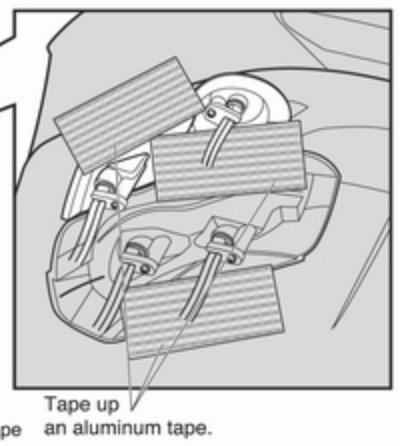
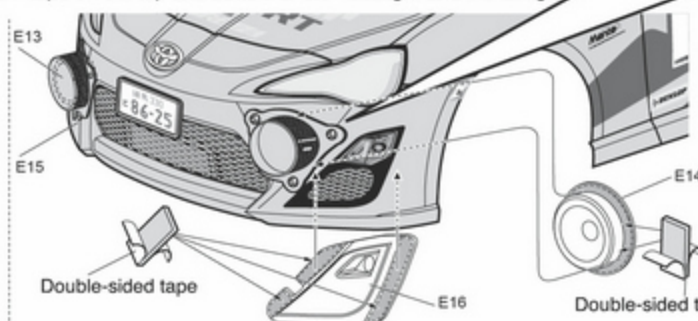
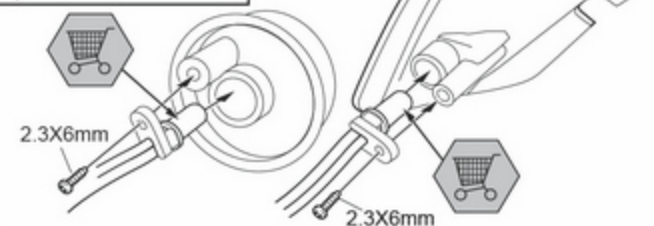
6 Plastic Parts

When loading LED lights

LED STOPPER 2
 2.3X6MM F/H TP Screw 2



► Please tape the wiring, etc. on the body using the attached aluminum tape.
 ► Please put the attached aluminum tape on the top and bottom of the headlight and the taillights



Racing Body

Decoration Body

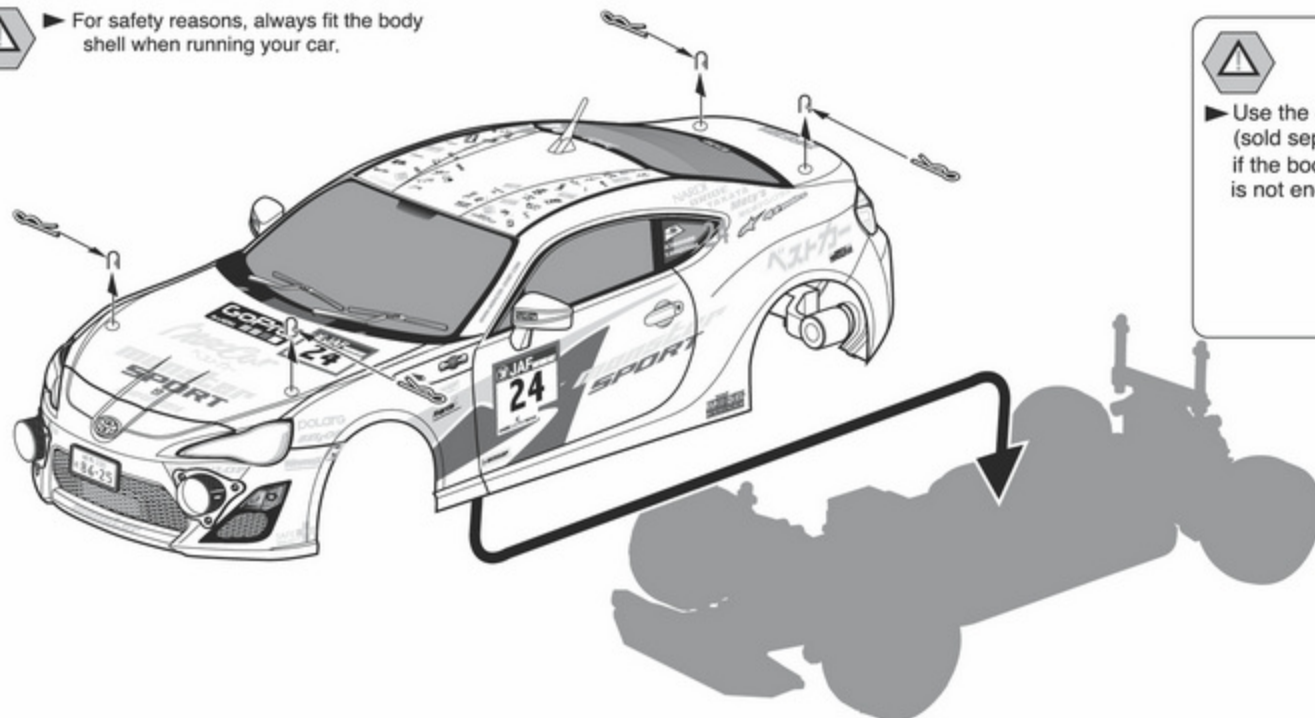
Non Decoration Body

When making the window transparent:

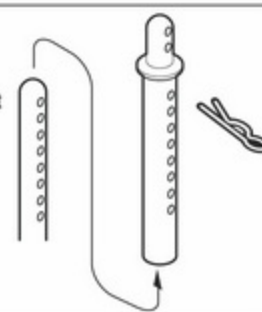
When loading LED lights



▶ For safety reasons, always fit the body shell when running your car.



▶ Use the extension body mount (sold separately) if the body mount height is not enough.



Option Parts & Accessory

No.	Part Names	No.	Part Names
48566	Toyota 86 Clear Body	48244	Front-engine Cockpit Set 1/10 Touring Car
48567	Toyota 86 Finished Body Metallic-orange (Printed) Light buckets assembled	48501	Front-engine Cockpit Set (Left) Finished Type 1/10 Touring Car
48568	Toyota 86 Finished Body Pearl-white (Printed) Light buckets assembled	48502	Front-engine Cockpit Set (Right) Finished Type 1/10 Touring Car
48569	Toyota 86 Finished Body Red (Printed) Light buckets assembled	48503	Anti-role Bar of Cockpit 1/10 Touring Car
48579	Decal Sheet (1/10 Toyota 86)	48102	LED Light System w/Control Box (12 LEDs) 1/10 Scale
48580	Plastic Parts Set (1/10 Toyota 86)	48516	Chassis Light W/SMD LED Unit Set (6 Blue LEDs) 1/10 Scale
48581	Accent Light Set (1/10 Toyota 86) PC & ABS	48517	Chassis Light W/SMD LED Unit Set (6 Red LEDs) 1/10 Scale
48381	Chassis for Display (1/10 Toyota 86 & Subaru BRZ)	48468	Chassis Light W/SMD LED Unit Set (12 Blue LEDs) 1/10 Scale
48582	Wide Body Full Kit (1/10 Toyota 86 & Subaru BRZ) Lexan molded / PC material	48469	Chassis Light W/SMD LED Unit Set (12 Red LEDs) 1/10 Scale
48583	Wide Body Full Kit (1/10 Toyota 86 & Subaru BRZ) Lexan molded / PC material	48470	Chassis Light W/SMD LED Unit Set (18 Blue LEDs) 1/10 Scale
48570	Decal Sheet Wide Body Full Kit (Toyota 86 & Subaru BRZ)	48471	Chassis Light W/SMD LED Unit Set (18 Red LEDs) 1/10 Scale
48587	Decal Sheet Wide Body Full Kit (Toyota 86 & Subaru BRZ)	48518	Chassis Light W/SMD LED Unit Set (36 Blue LEDs) 1/10 Scale
48489SIGY	Aluminum Alloy Wheel 1:10 Touring Car	48519	Chassis Light W/SMD LED Unit Set (36 Red LEDs) 1/10 Scale
48489SIL	Aluminum Alloy Wheel 1:10 Touring Car	48507	Smoky Exhaust Pipe W/LED Unit Set 1/10 Scale
48489BLK	Aluminum Alloy Wheel 1:10 Touring Car	48191	Touring Car Engine 1/10 Scale
48076	Tyre (Rubber) 4Pcs./Pkg 1/10 Touring Car	48492	Touring Car Engine Finished Type 1/10 Scale
48078	Tyre (Rubber) 4Pcs./Pkg 1/10 Touring Car	48192	Touring Car Engine 1/10 Scale
48258	Drift Tire 4Pcs./Pkg 1/10 Touring Car	48493	Touring Car Engine Finished Type 1/10 Scale
48259	Drift Tire 4Pcs./Pkg 1/10 Touring Car	48193	Touring Car Engine 1/10 Scale
48260	Drift Tire 4Pcs./Pkg 1/10 Touring Car	48494	Touring Car Engine Finished Type 1/10 Scale
48355	Caliper Brake Disc (CNC Aluminum) 2 Bigger & 2 Smaller 1/10 Touring Car	48194	Touring Car Engine 1/10 Scale
48356	Caliper Brake Disc (CNC Aluminum) 2 Bigger & 2 Smaller 1/10 Touring Car	48495	Touring Car Engine Finished Type 1/10 Scale
48508	Aluminum Alloy Stealth Body Mounts 1/10 Touring Car	48195	Touring Car Engine 1/10 Scale
48506	Bodyshell Basic Plastic Parts Carbon Fiber Pattern 1/10 Touring Car	48496	Touring Car Engine Finished Type 1/10 Scale
48490SIGY	Aluminum Alloy Wheel 1/10 Touring Car	48196	Touring Car Engine 1/10 Scale
48490SIL	Aluminum Alloy Wheel 1/10 Touring Car	48497	Touring Car Engine Finished Type 1/10 Scale
48490BLK	Aluminum Alloy Wheel 1/10 Touring Car	48197	Touring Car Engine 1/10 Scale
48491SIGY	Aluminum Alloy Wheel 1/10 Touring Car	48498	Touring Car Engine Finished Type 1/10 Scale
48491SIL	Aluminum Alloy Wheel 1/10 Touring Car	48246	Modified Vertical Engine 1/10 Scale
48491BLK	Aluminum Alloy Wheel 1/10 Touring Car	48504	Modified Vertical Engine Finished Type 1/10 Scale
48243	Rear-engine Cockpit Set 1/10 Touring Car	48247	Modified Transverse Engine 1/10 Scale
48499	Rear-engine Cockpit Set (Left) Finished Type 1/10 Touring Car	48505	Modified Transverse Engine Finished Type 1/10 Scale
48500	Rear-engine Cockpit Set (Right) Finished Type 1/10 Touring Car		