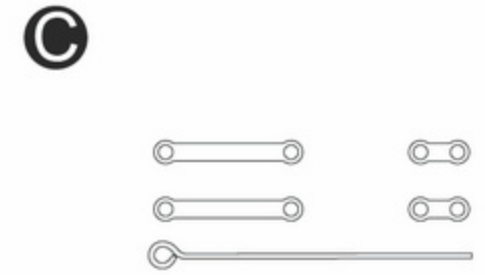
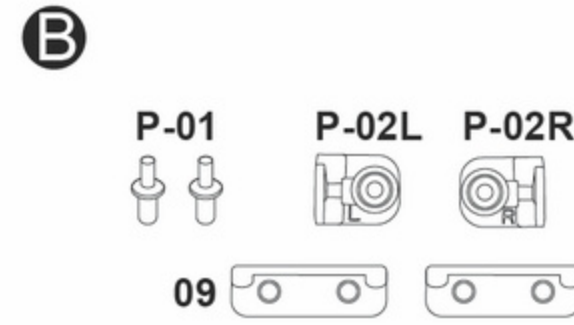
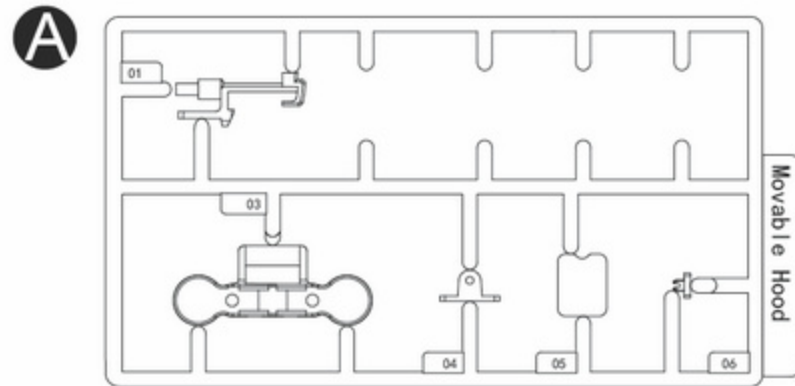


#### PARTS

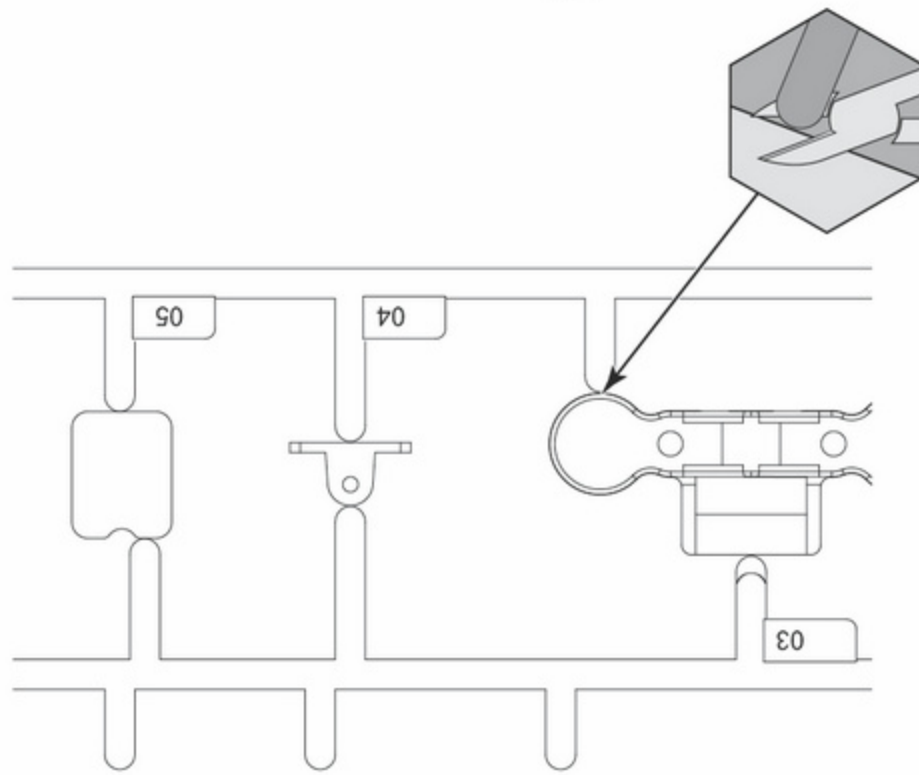
-  Screw 2.3X5mm-----X10
-  Screw 2.3X6mm-----X6
-  Flange screw 2.3X4X5mm-----X1
-  Spring-----X3



#### 1 Cutting

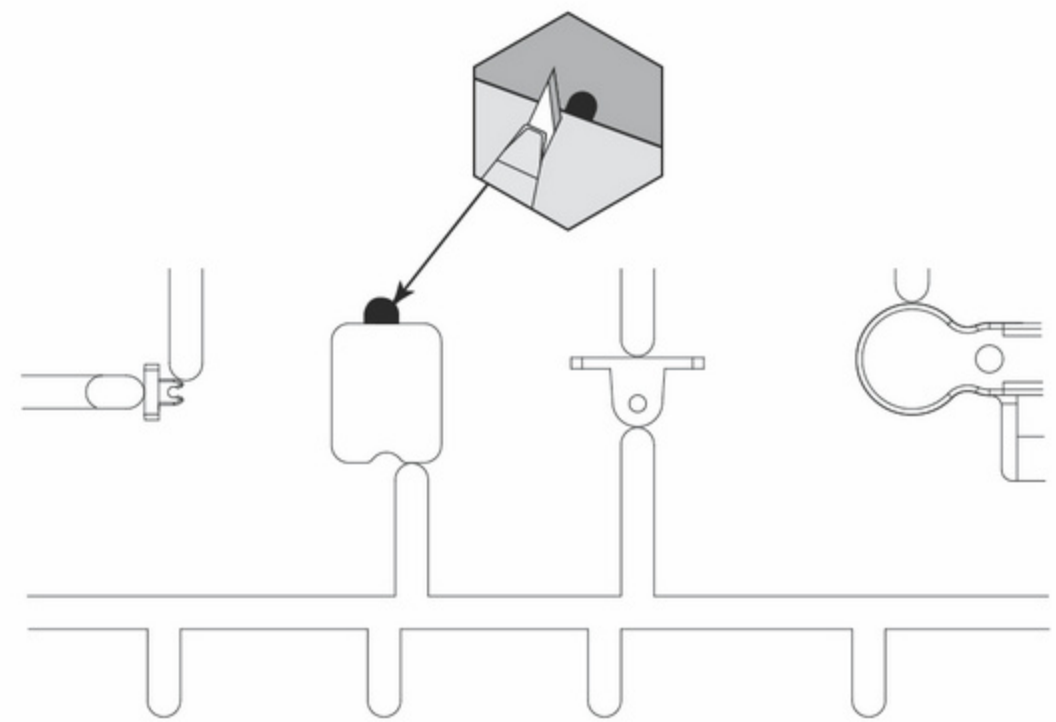
1 Remove.

A



2 Smooth rough edge.




A



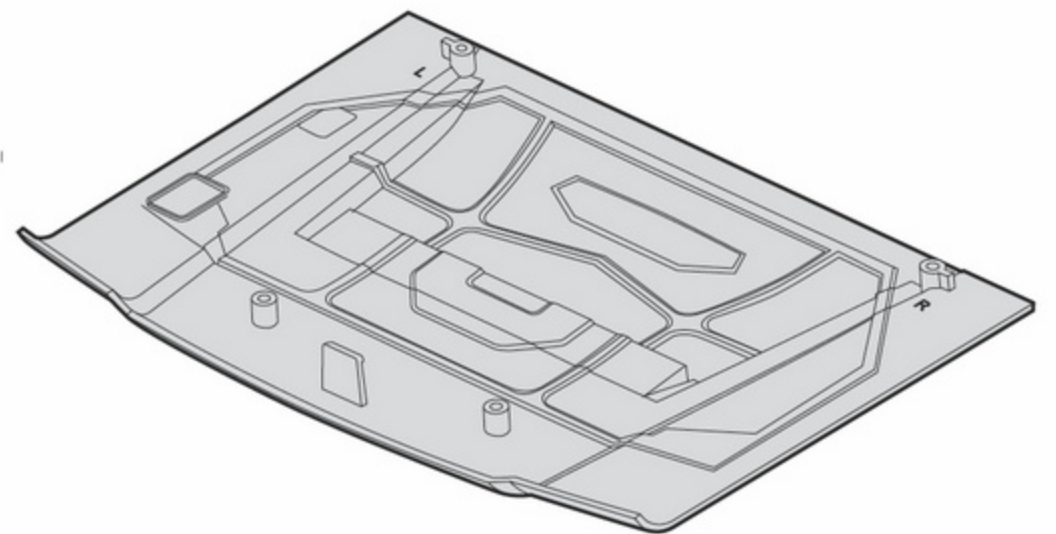
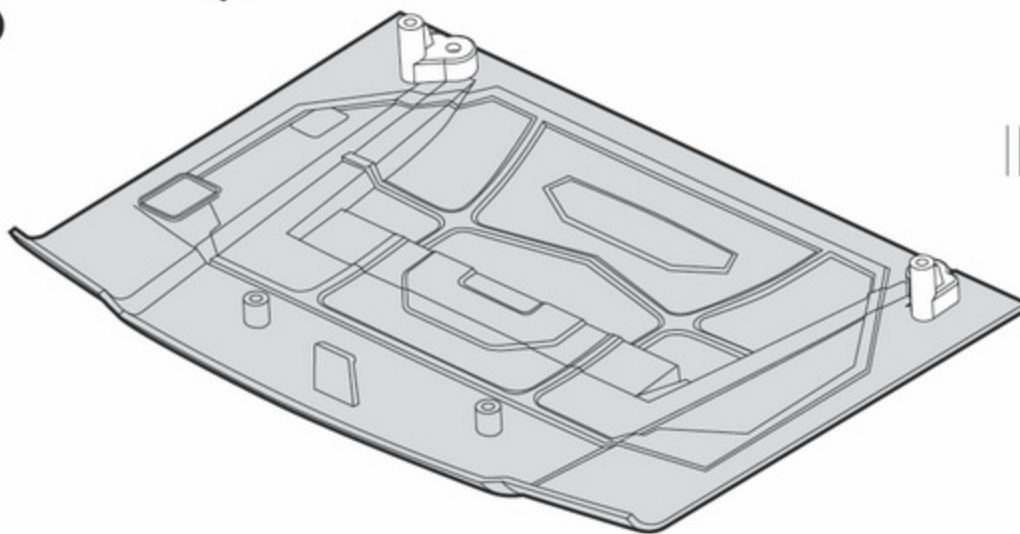
#### 2 Upgrade



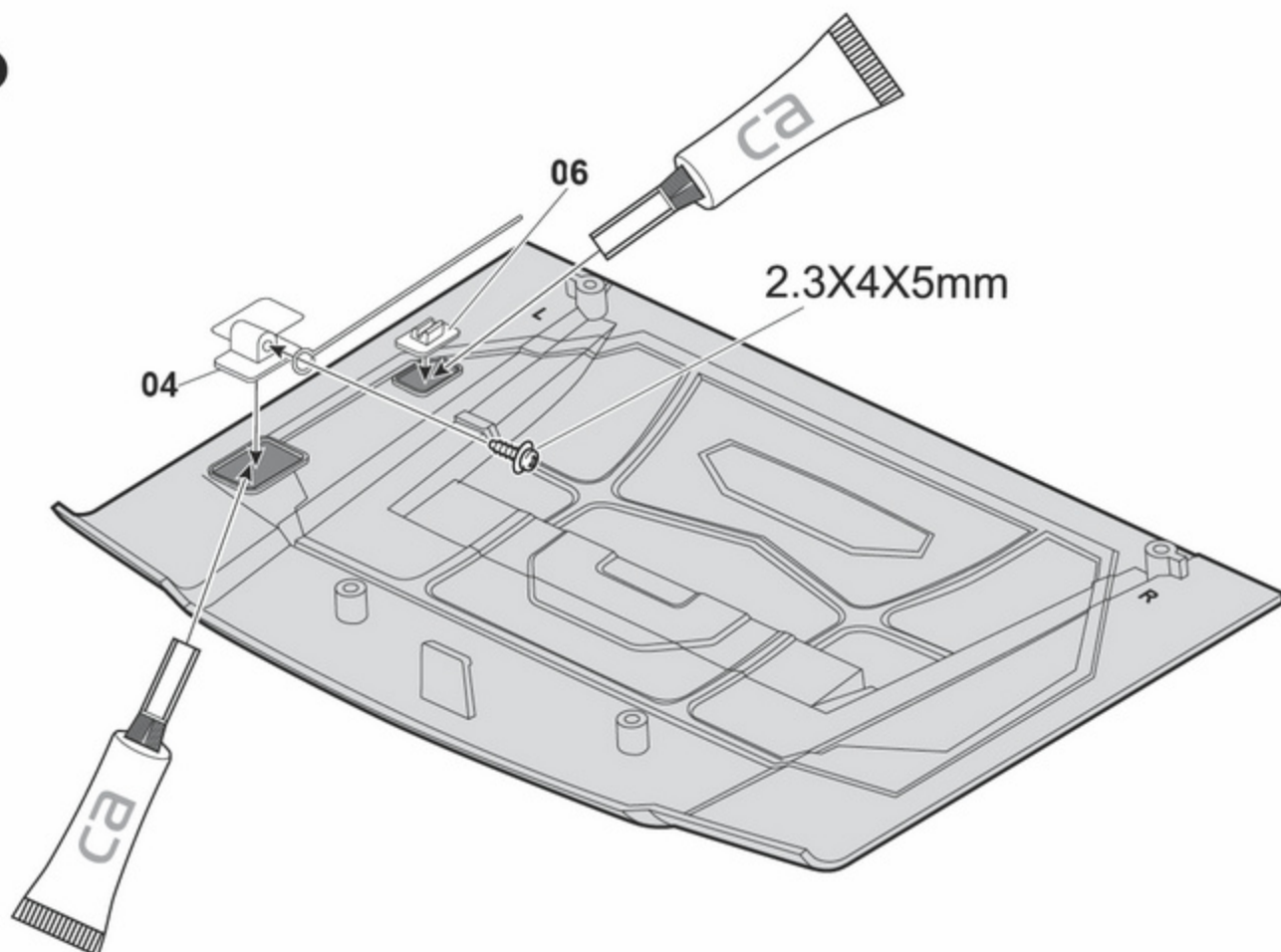
Disassemble 48601 hood and its connecting piece.

- Flange screw 2.3X4X5mm -----X1
- Screw 2.3X5mm -----X10
-  -----X2
-  -----X2
-  -----X1

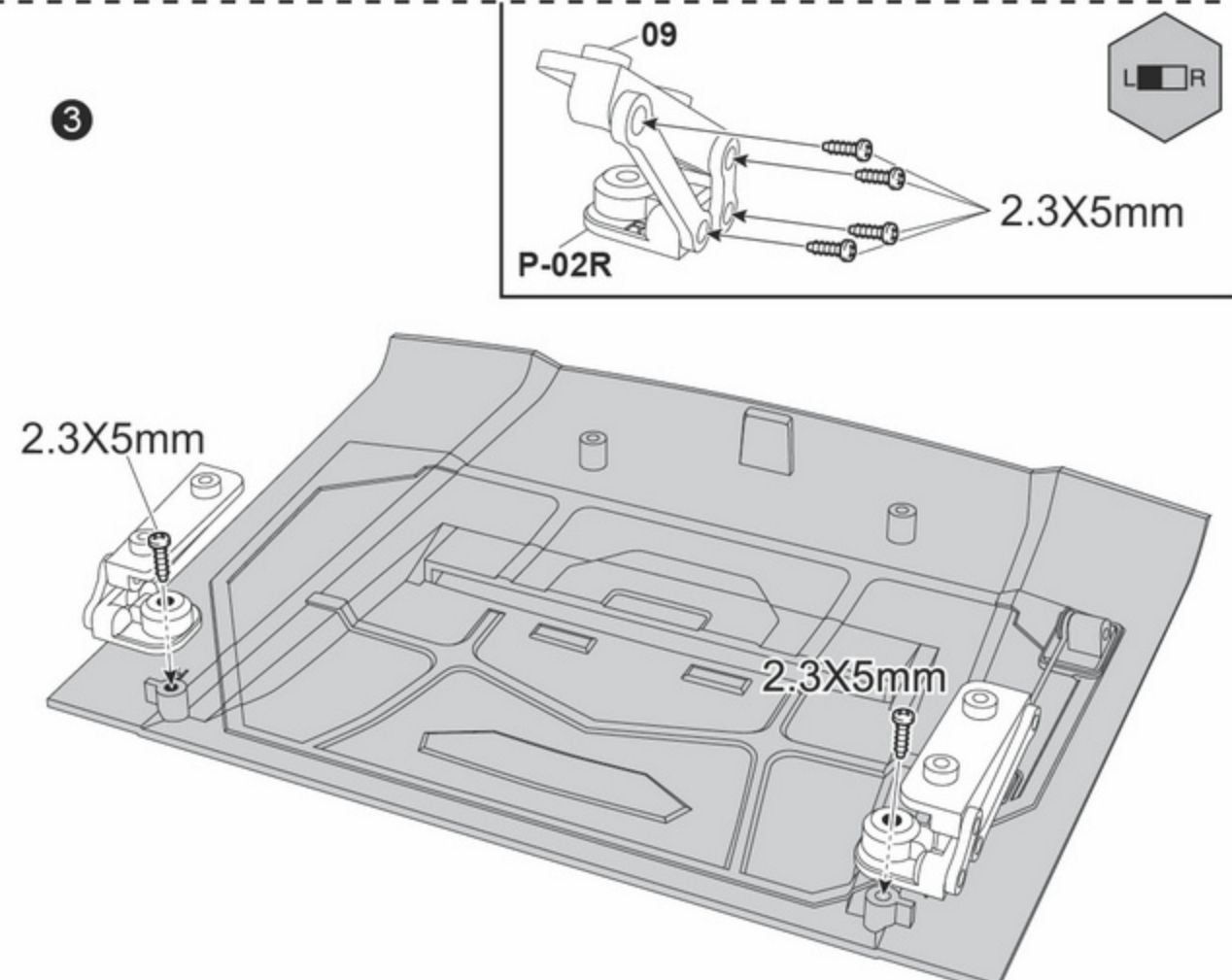
1



2



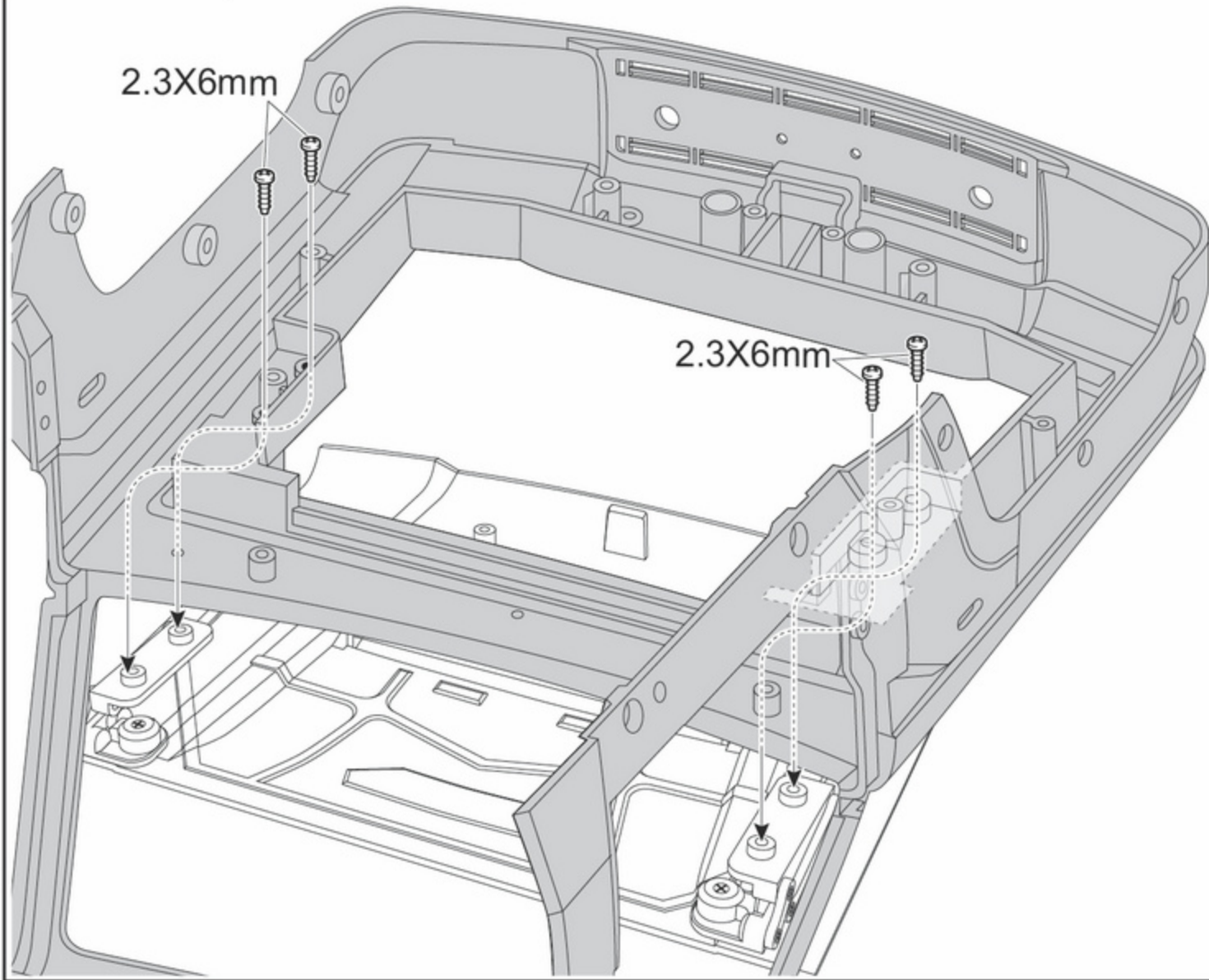
3



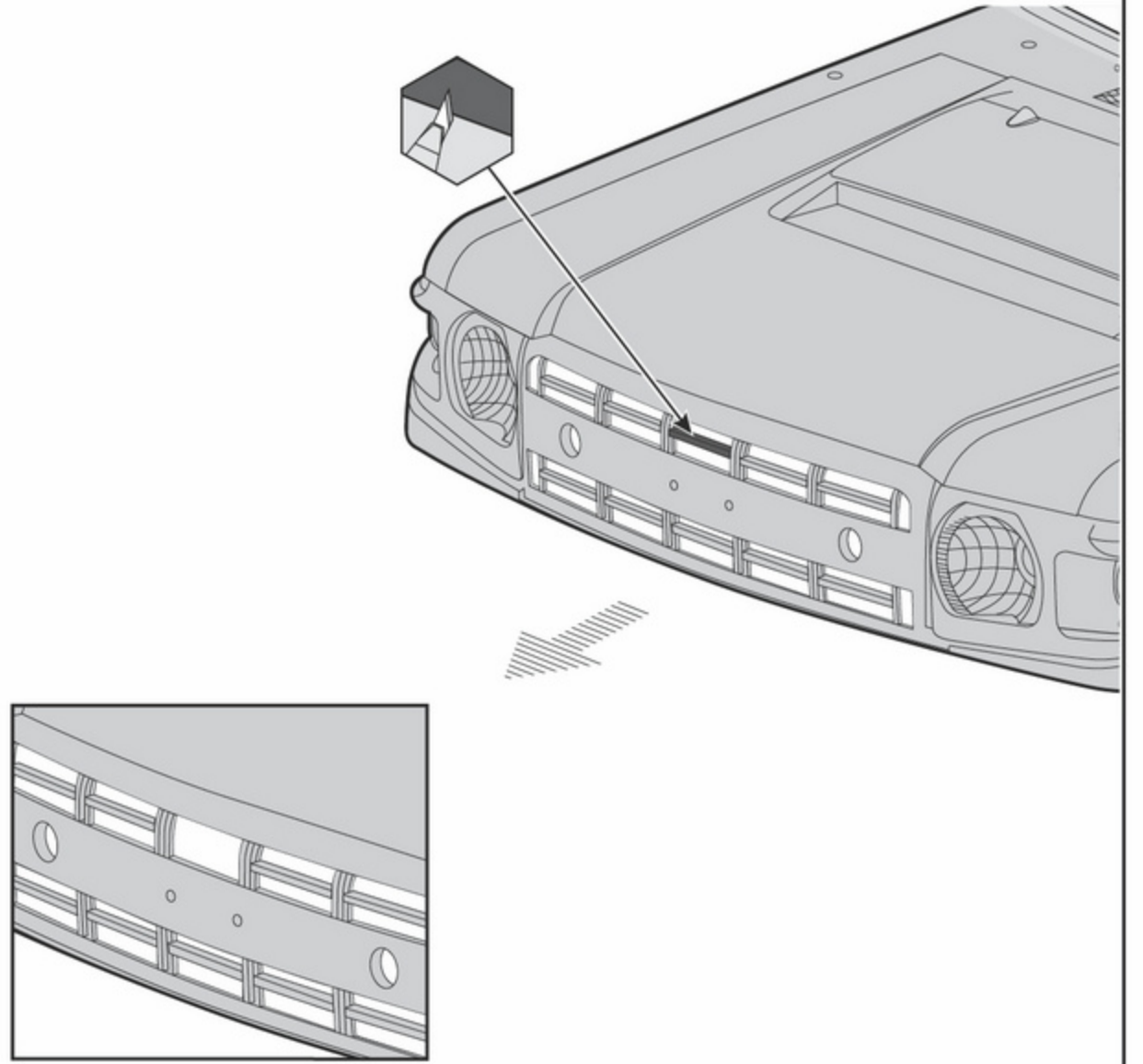
### 3 Assembling

Screw 2.3X6mm

X4



### 4 Cutting



### 5 Assembling

Screw 2.3X6mm

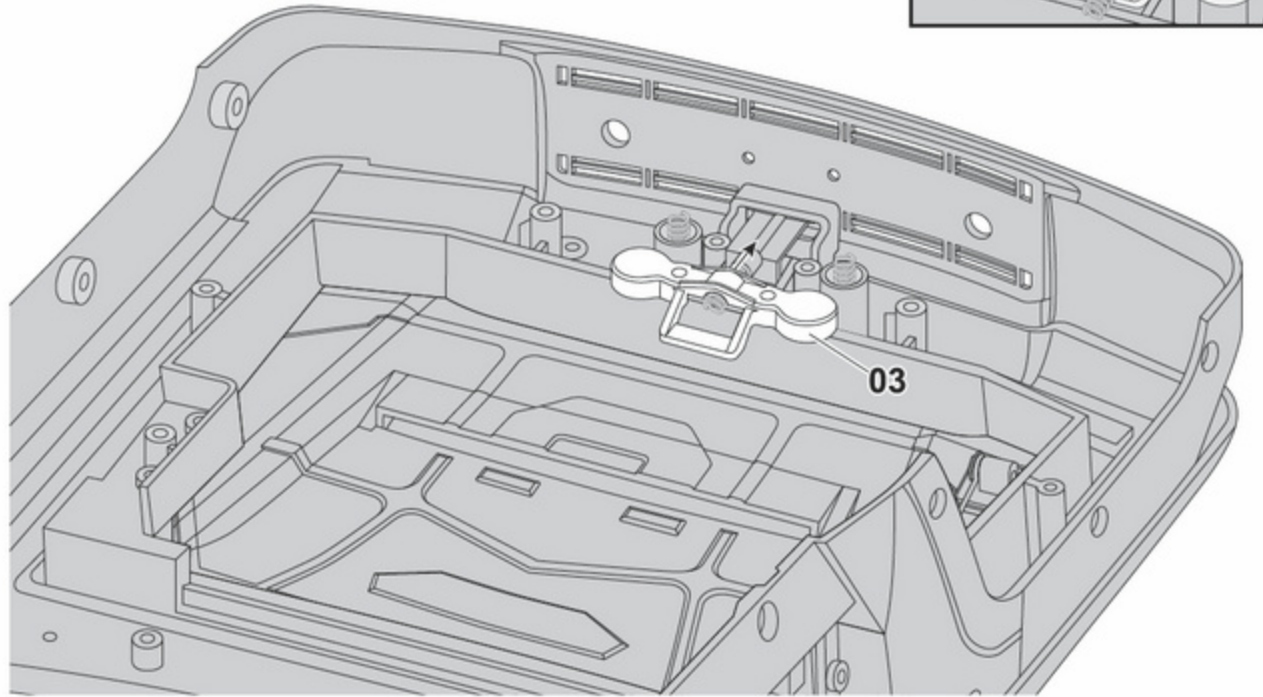
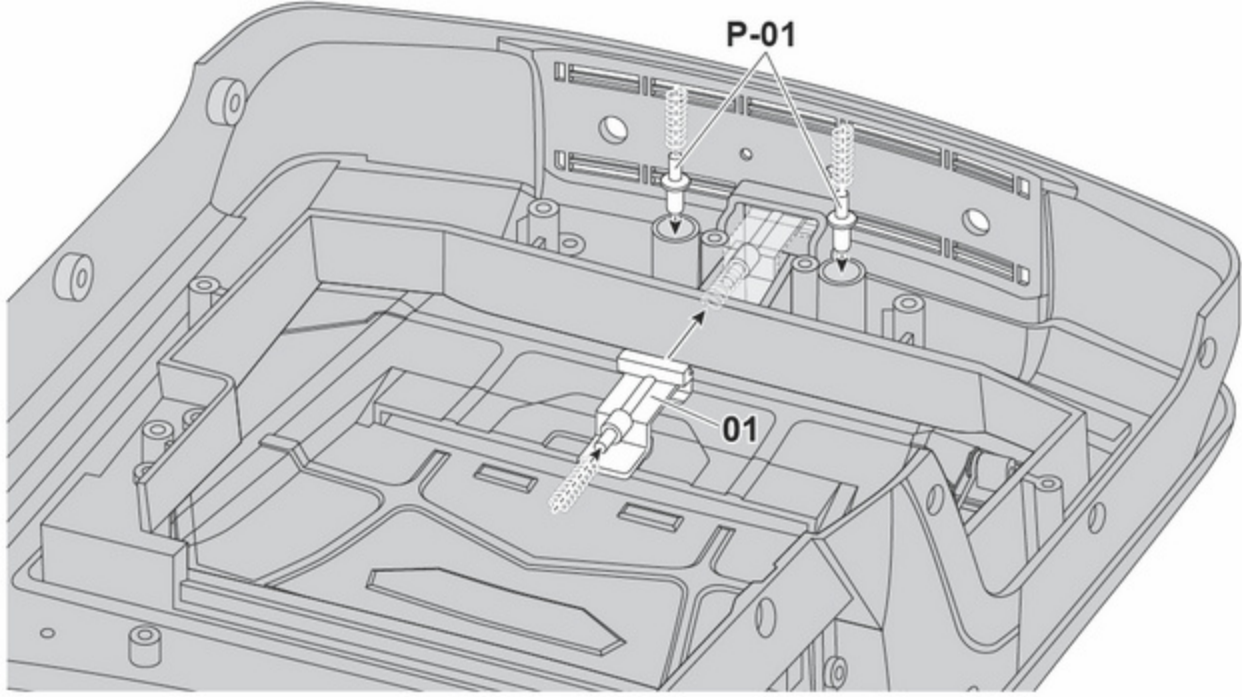
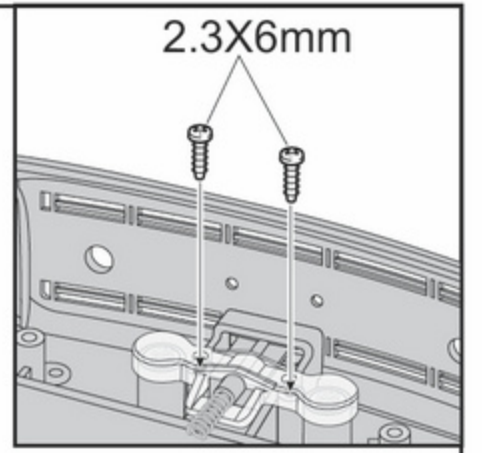
X2

Spring

X3

1

2



3

4

