

PARTS

Screw 1.4X4mm-----X18

Screw 2.3X5mm-----X2

Screw M3X8mm-----X4



X1



X2



X1



X1

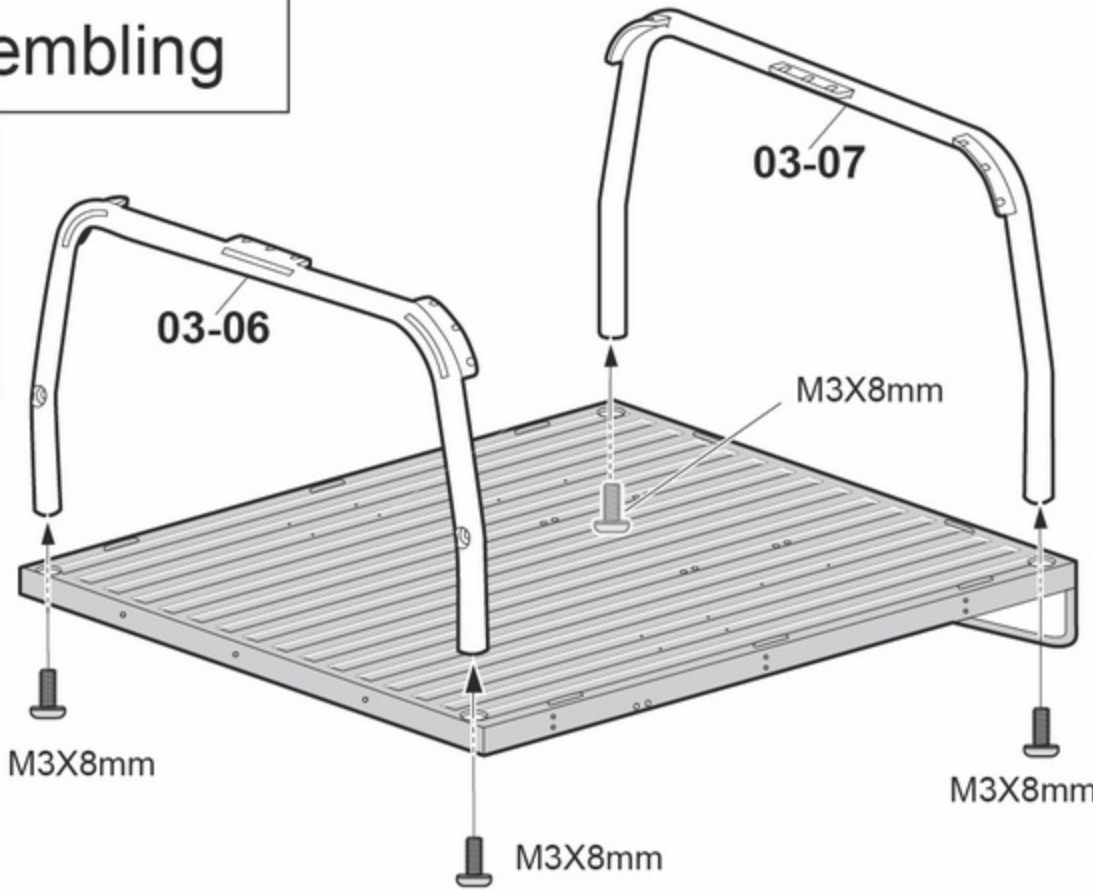
1 Assembling

Screw M3X8mm

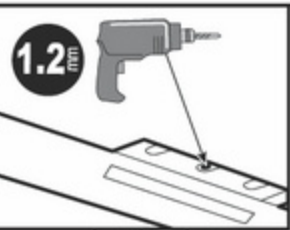
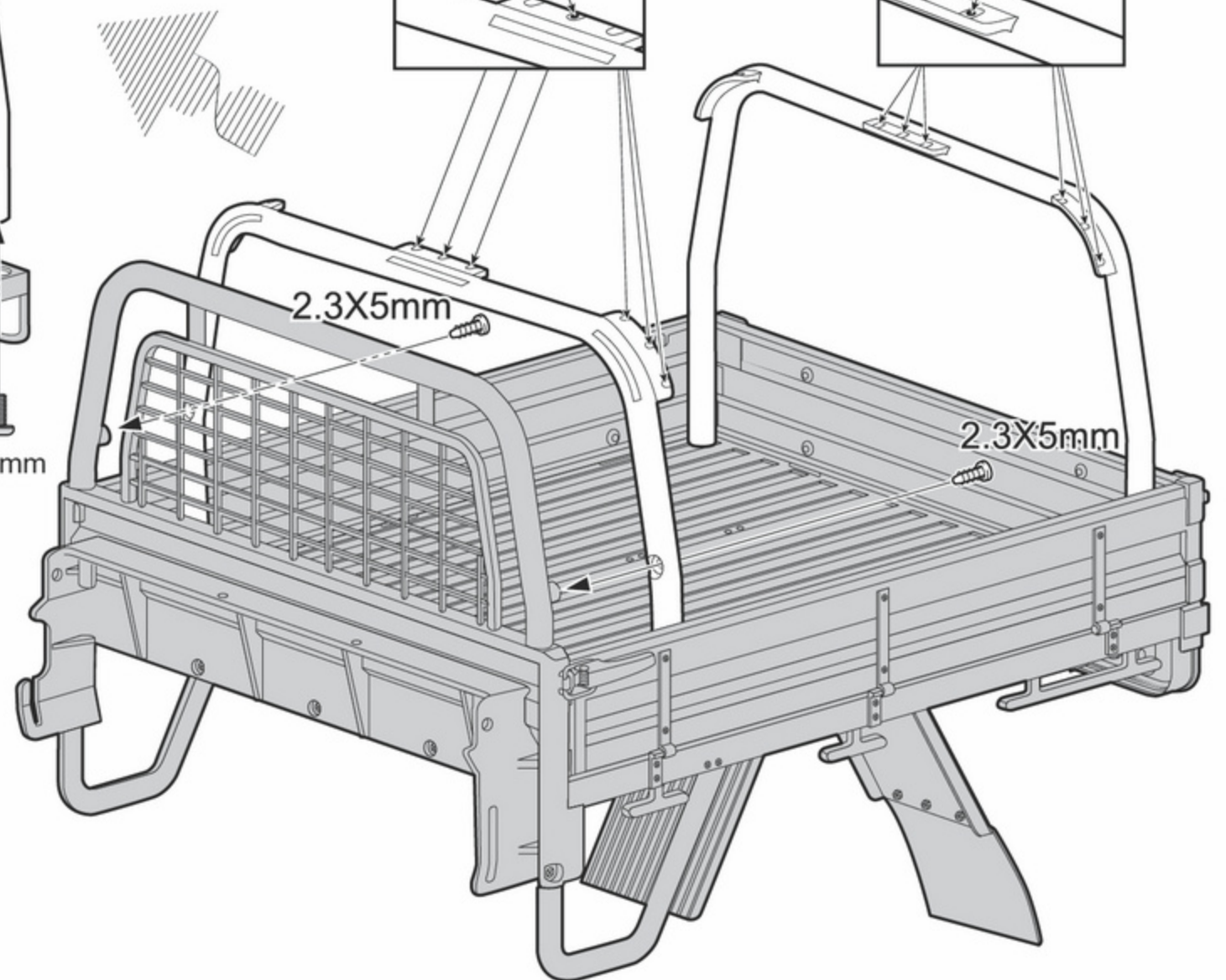
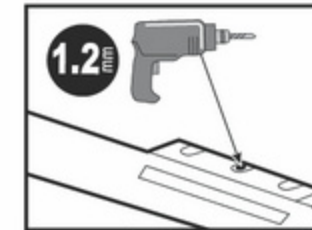
-----X4

Screw 2.3X5mm

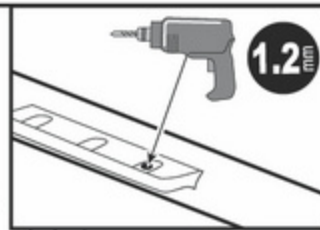
-----X2



<Right>



<Left>

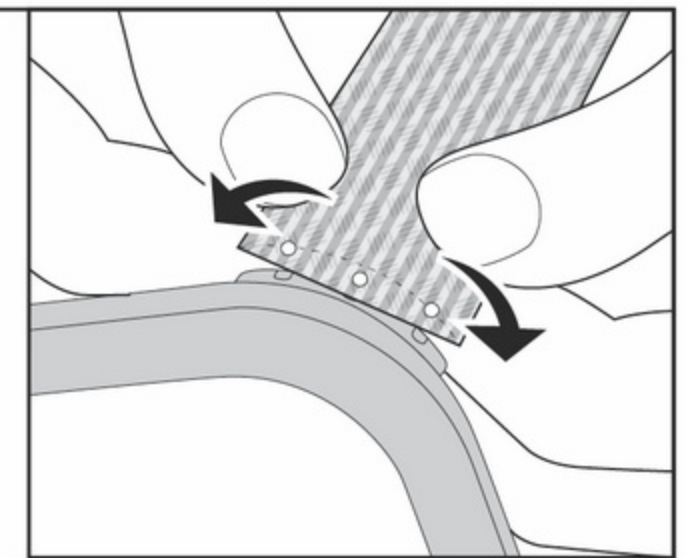
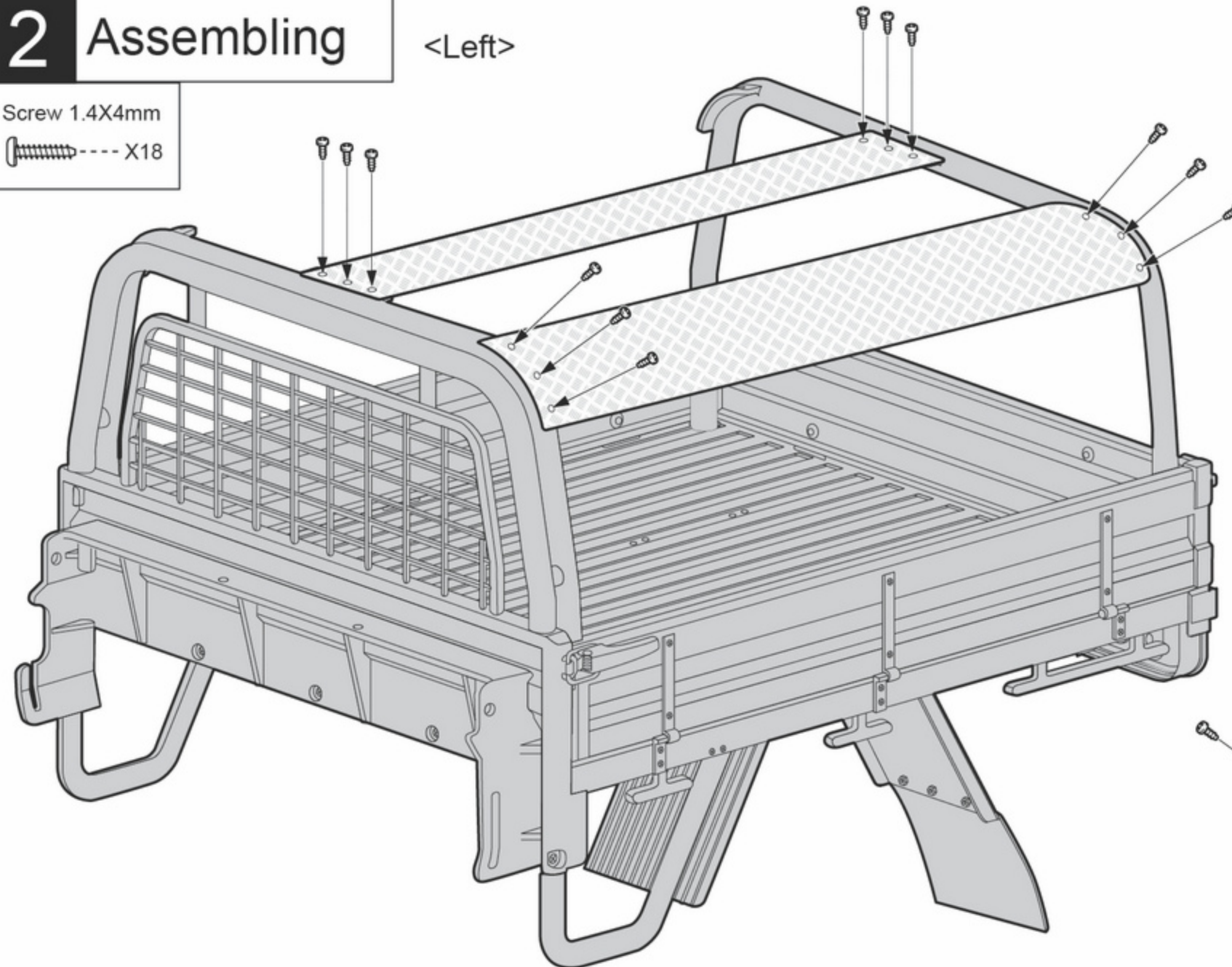


2 Assembling

<Left>

Screw 1.4X4mm

-----X18



<Right>

