

killerbody™

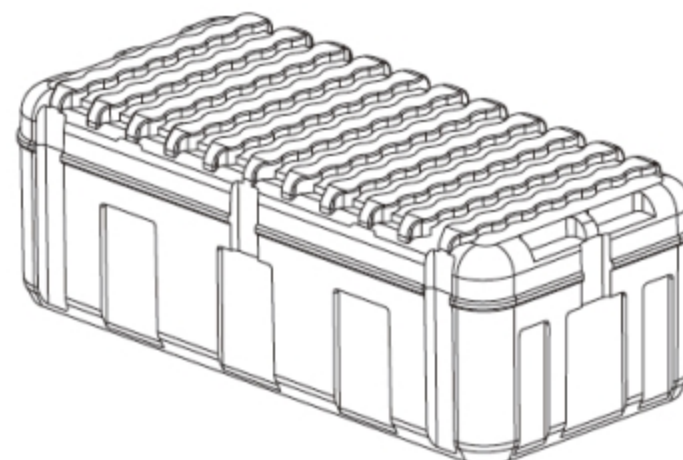
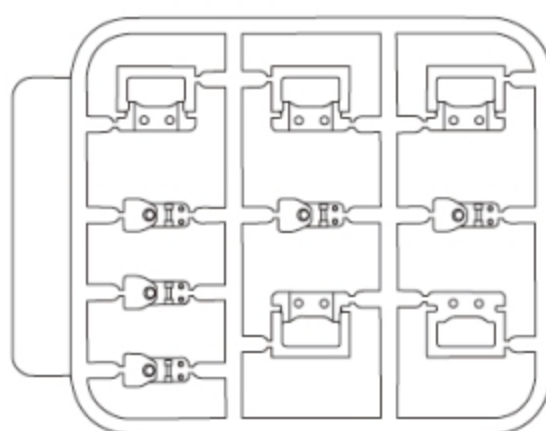
Decorative Case

Fit for 1/10 Crawler

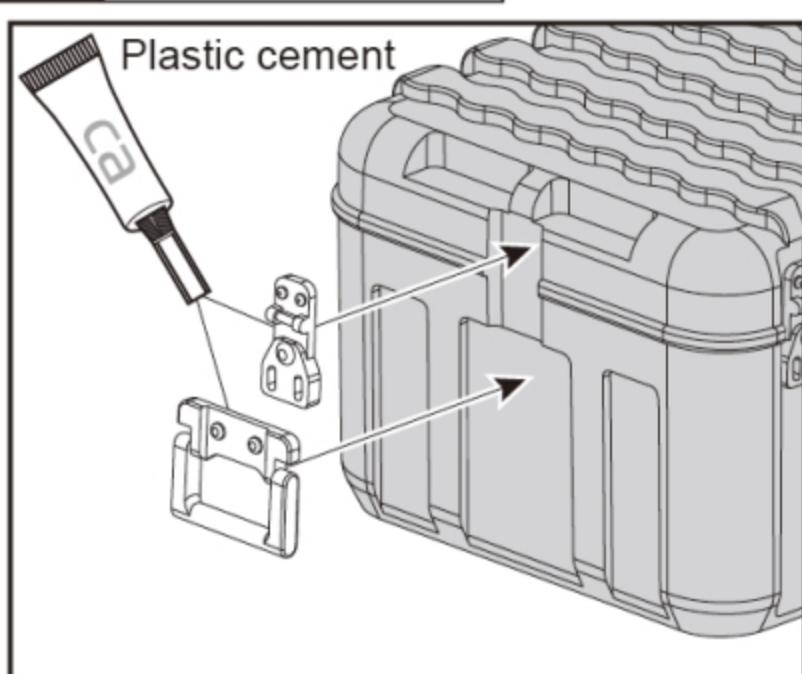
NO. 48703

PARTS

 Screw 2.3X6mm-----X4



1 Assembling



Plastic cement



Plastic cement




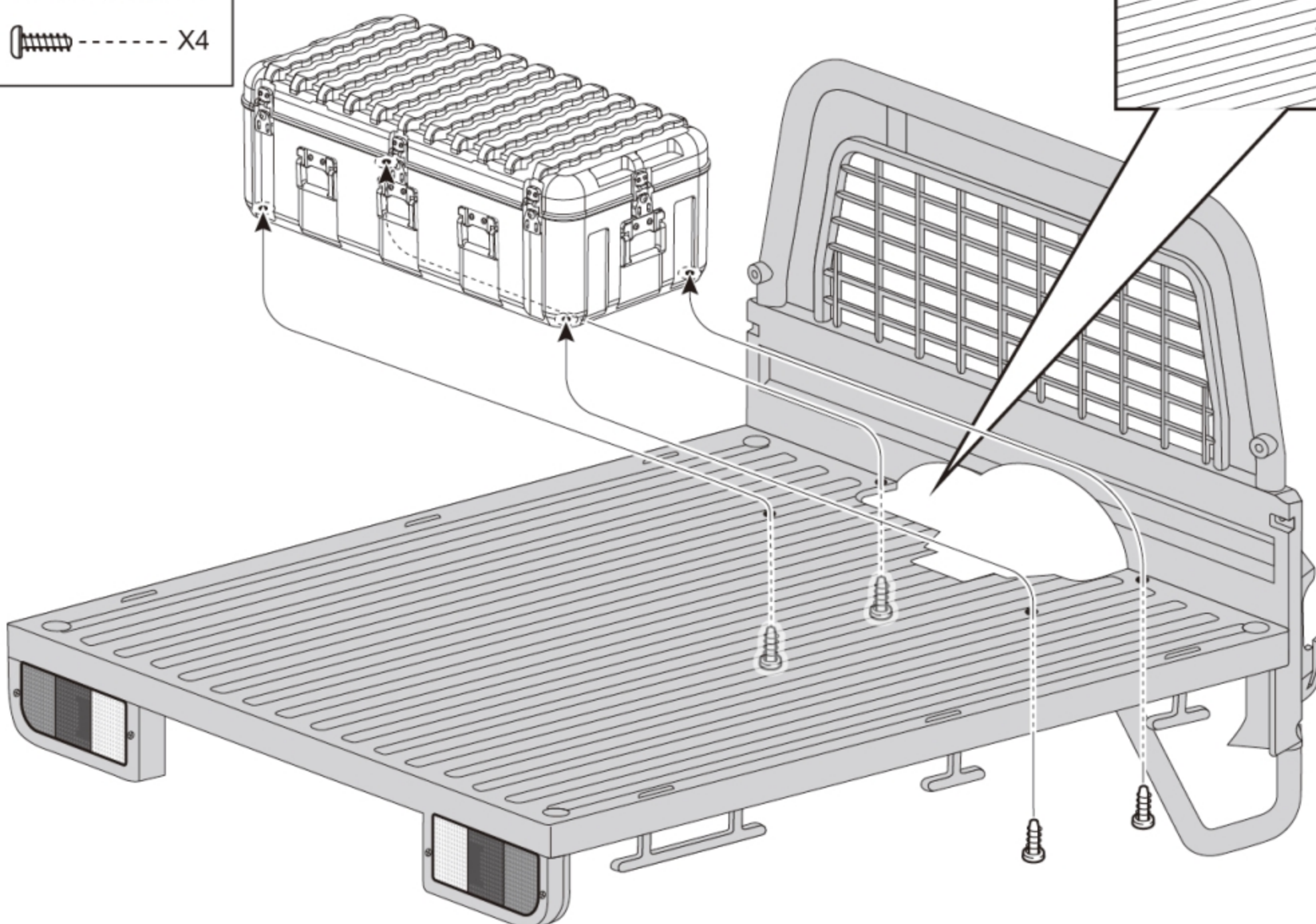
Plastic cement



2 Assembling

Screw 2.3X6mm

----- X4



2.0mm