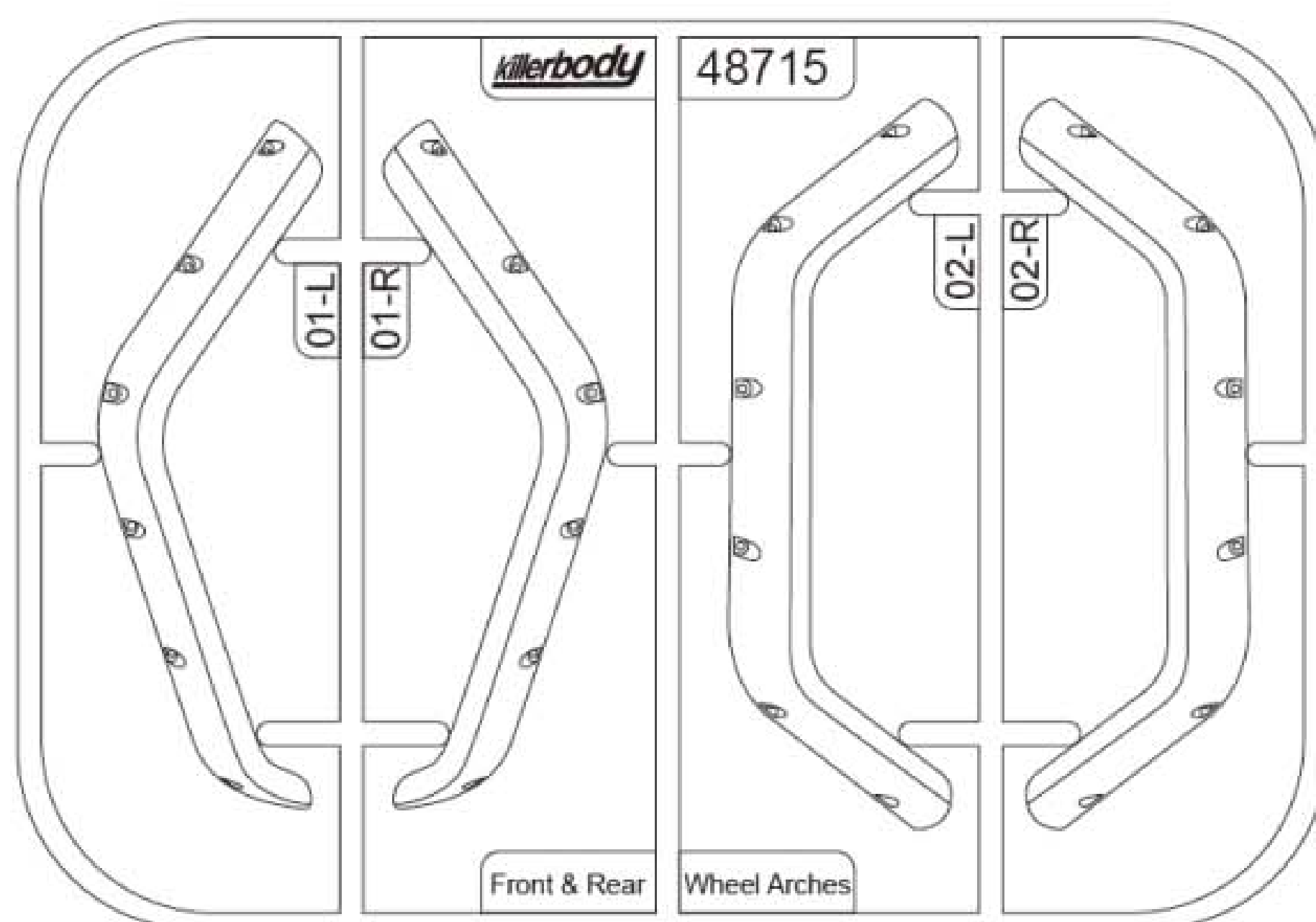
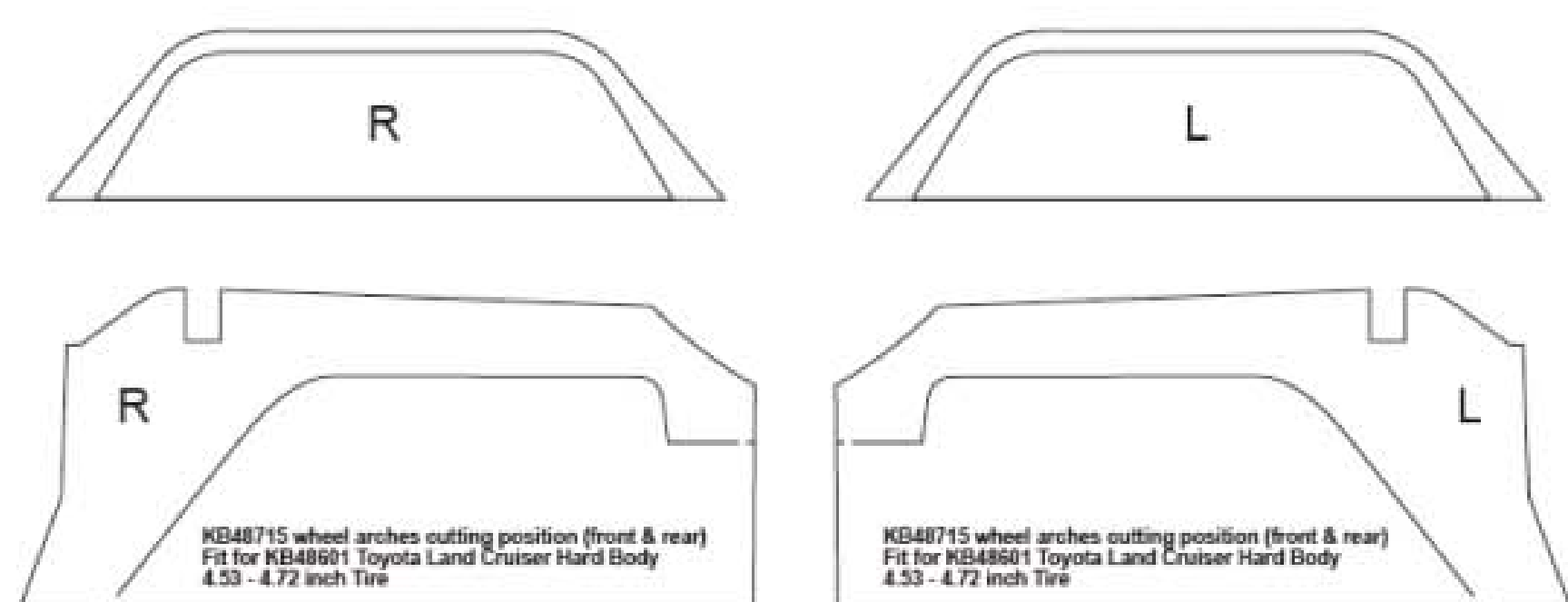



1 Cutting

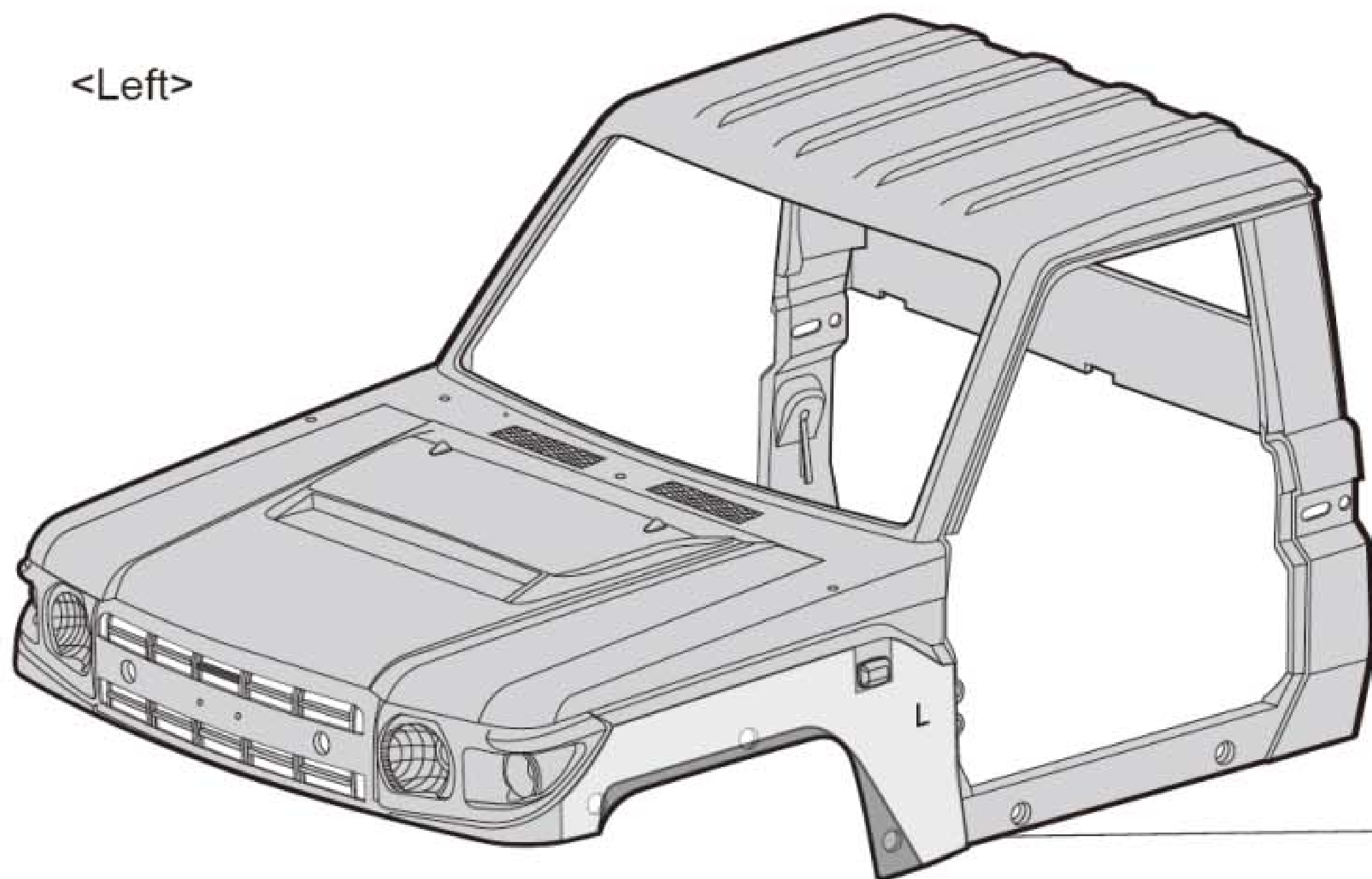
 Screw 1.4X4mm ----- X24

KB48715 wheel arches cutting position (front & rear)
Fit for KB48601 Toyota Land Cruiser Hard Body
4.53 - 4.72 inch Tire

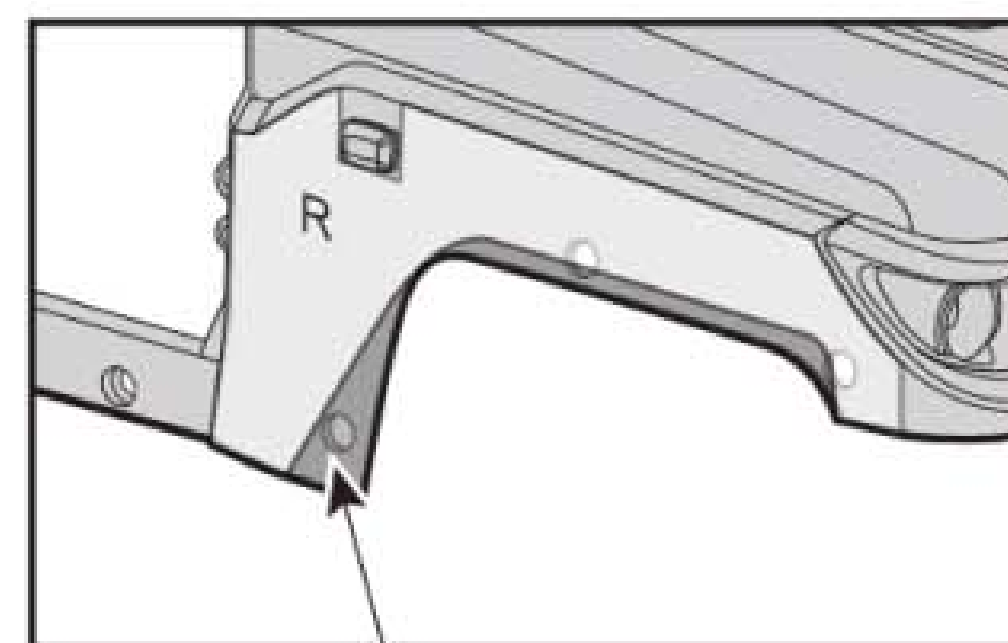


 This cutting position just for reference,
cut according to your wheel arches.

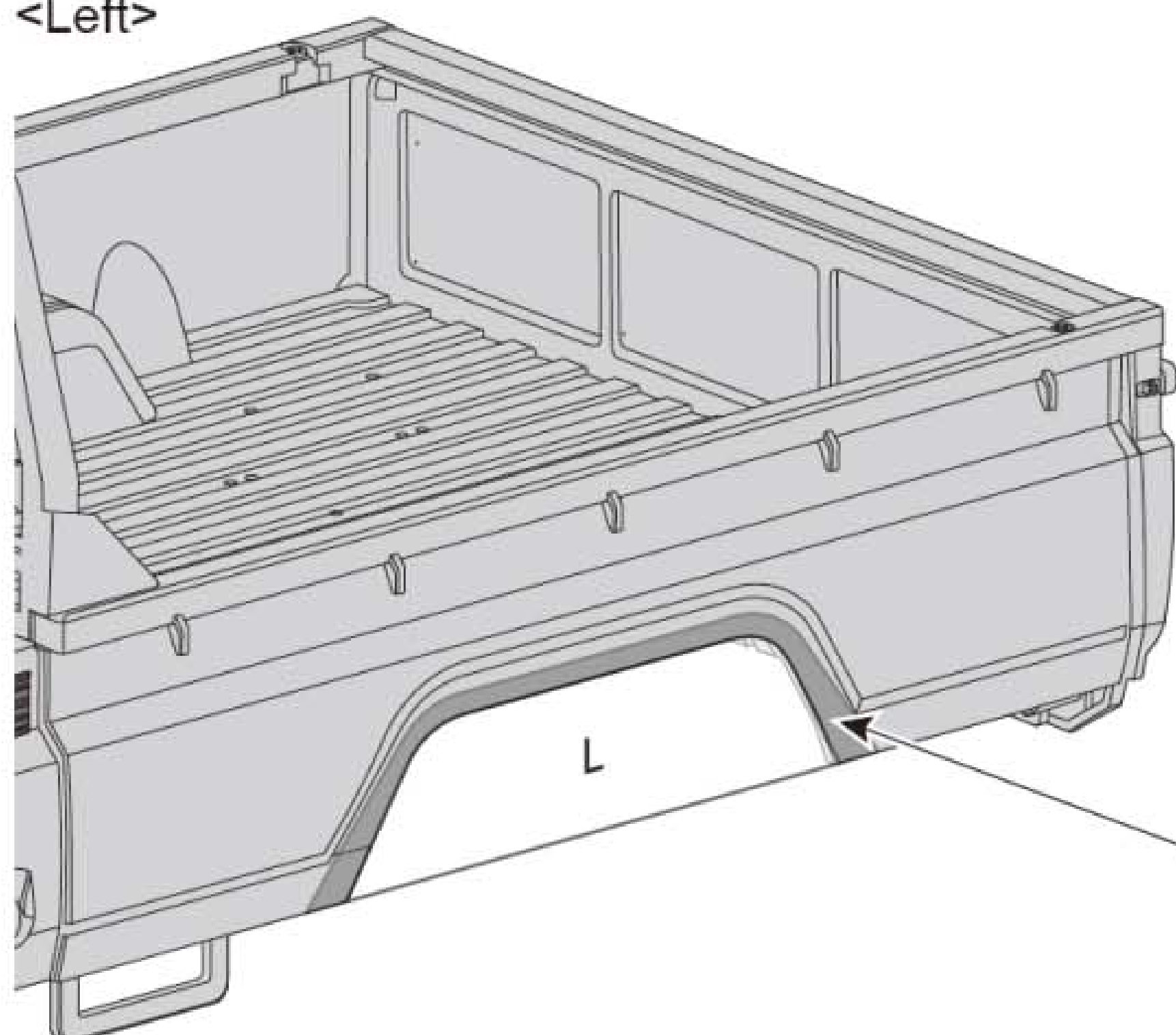
<Left>



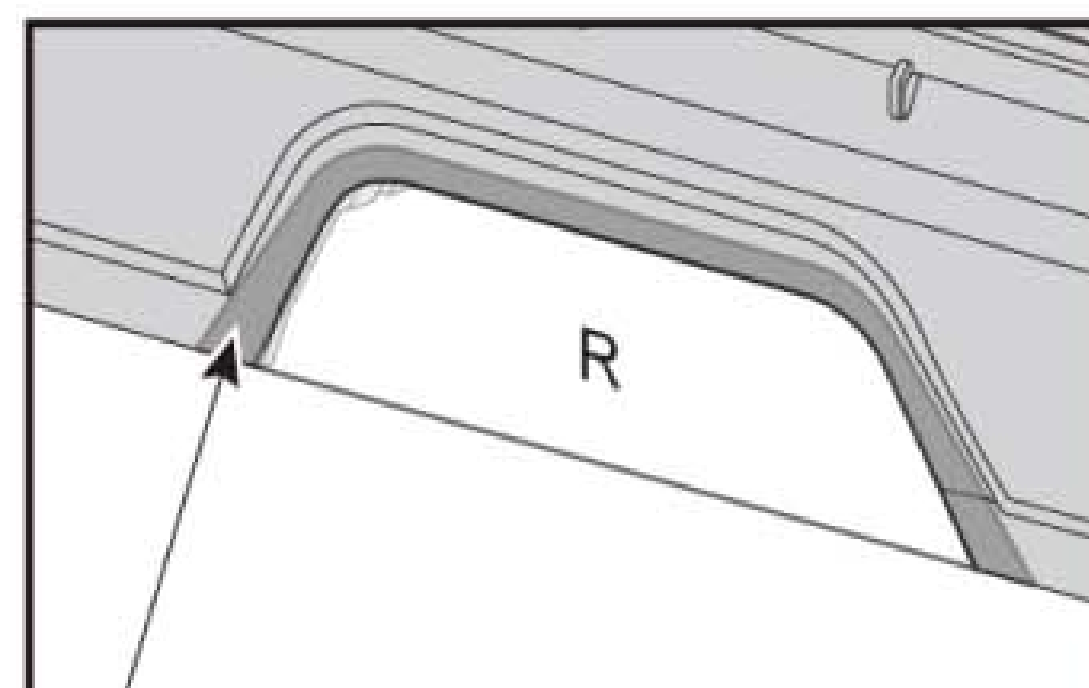
<Right>



<Left>



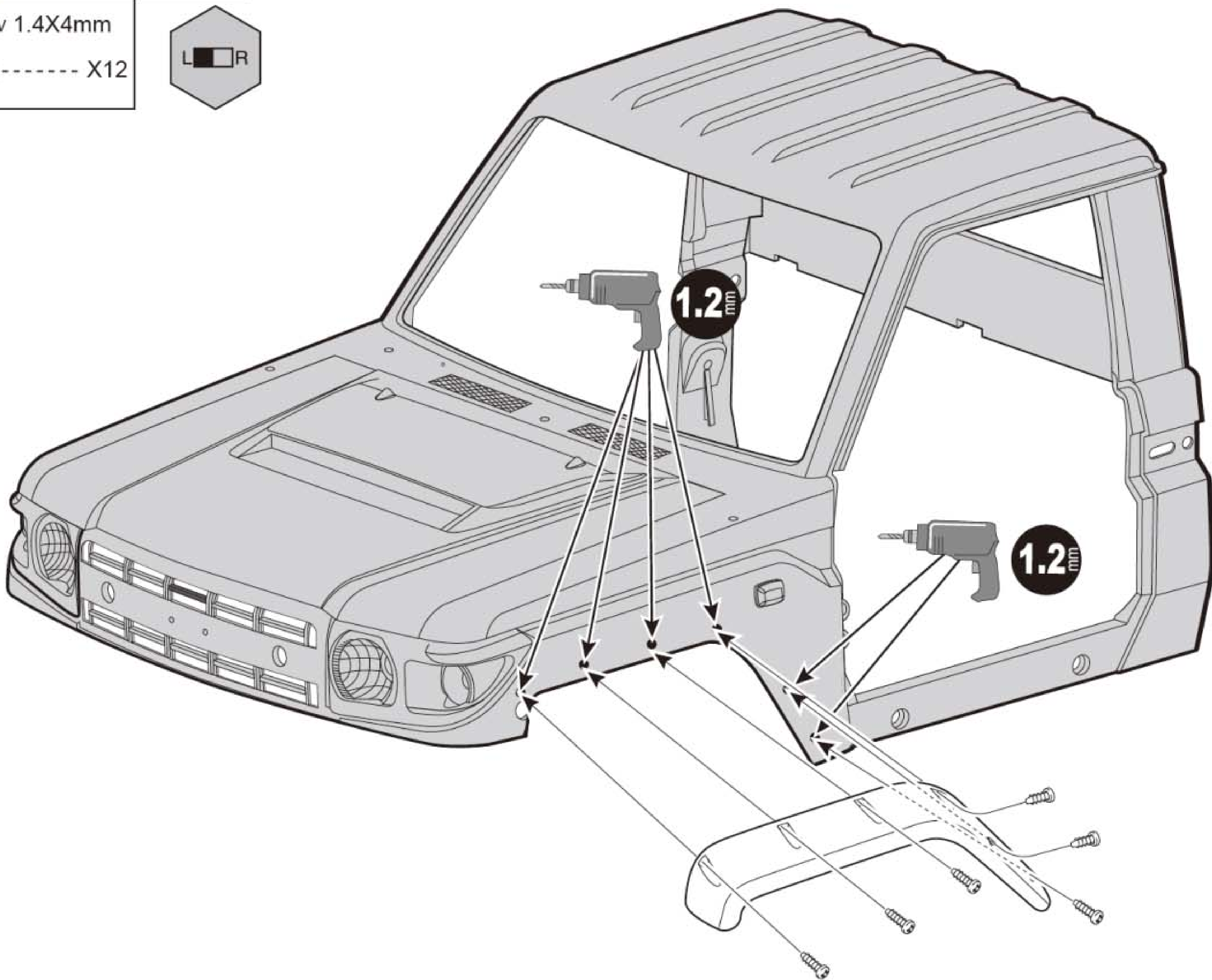
<Right>



2 Assembling

Screw 1.4X4mm

 ----- X12



Screw 1.4X4mm

 ----- X12

